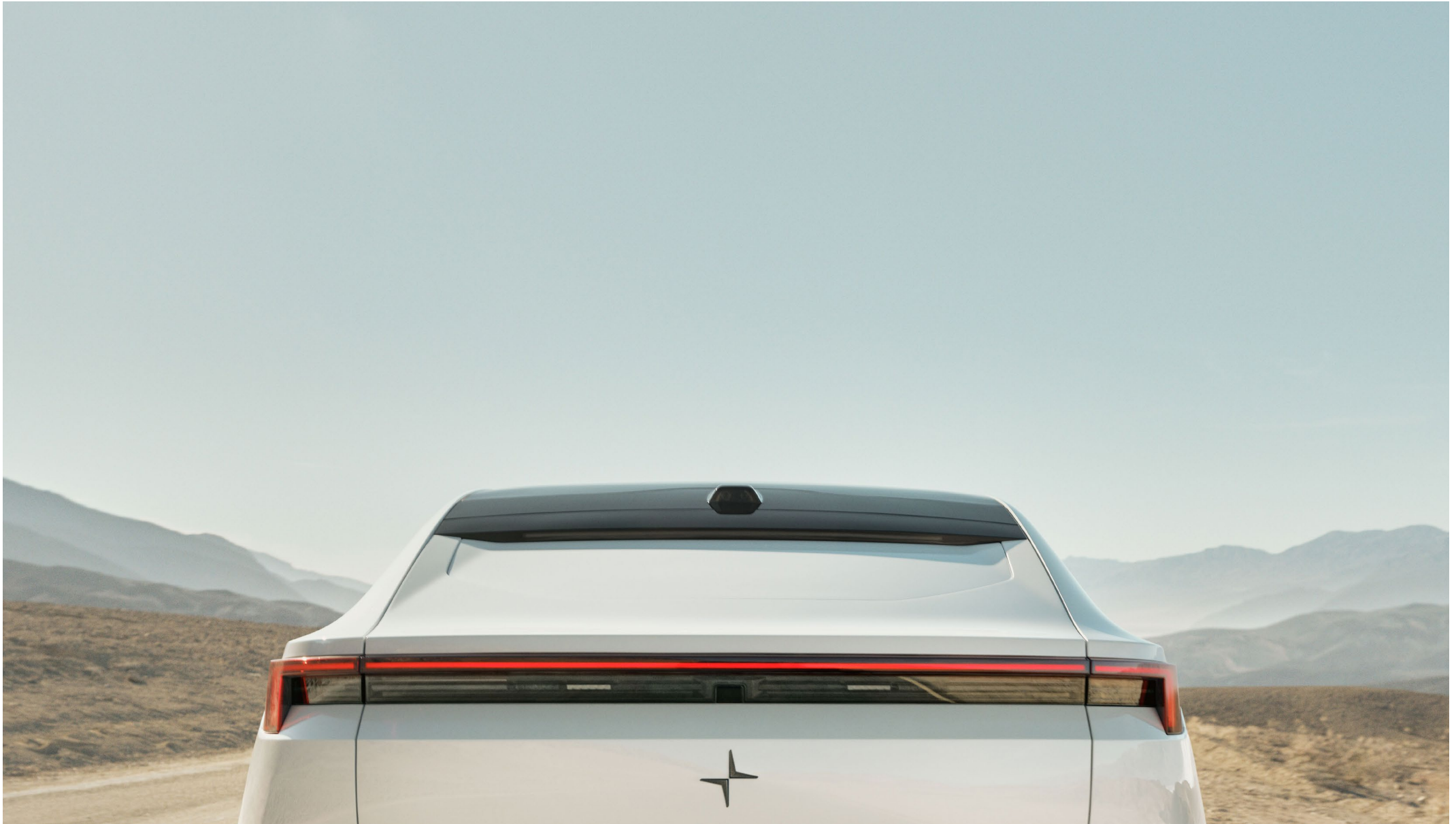


# Polestar 4



Model Year 2027 (MY27)

## Polestar 4 The coupé

Polestar cars represents a new form of electric performance. One defined by minimalistic design, technological innovations, sustainable solutions, and a complete lack of compromise. Polestar 4 continues that philosophy together with the rest of the Polestar collection. Available online and in 27 markets worldwide.

It all started with Polestar 1; a limited-production electric performance hybrid built from 2019 to 2022. Then came Polestar 2, an electric fastback, followed by Polestar 3, electric SUV. Polestar 4 combines the aerodynamics of a coupé, with spaciousness of an SUV. And like all Polestar EVs; technology for the electric age.

This is Polestar 4.





## Performance

Polestar 4 comes with sportscar levels of performance, with the dual motor variant accelerating from 0 to 100 km/h in 3.8 seconds. The driving dynamics remain true to the Polestar philosophy, with direct steering and sharp handling that inspires driver confidence.

The Dual motor variant delivers 400 kW (544 hp), 686 Nm of torque and a range target of up to 590 km WLTP. The rear-wheel driven Rear motor with 200 kW (282 hp) and 343 Nm has a range target of up to 620 km WLTP on a single charge.



Acceleration from 0 to 100 km/h

**3.8 sec**

Power up to

**400 kW**

**544 hp**

Charging speed

DC 200 kW, from 10 to 80%

**30 min**

Up to 22kW, from 0 to 100%

**5.5 hrs**

## Technology

Polestar 4 elevates the electric driving experience with a rear-facing HD camera for a wider field of vision, a 15.4" centre-stack display in landscape orientation, and the solar system-inspired ambient light line that orbits around the interior to illuminate the thoughtfully matched color and material combinations. With Google built-in, Polestar 4 instantly becomes part of the driver's digital ecosystem.





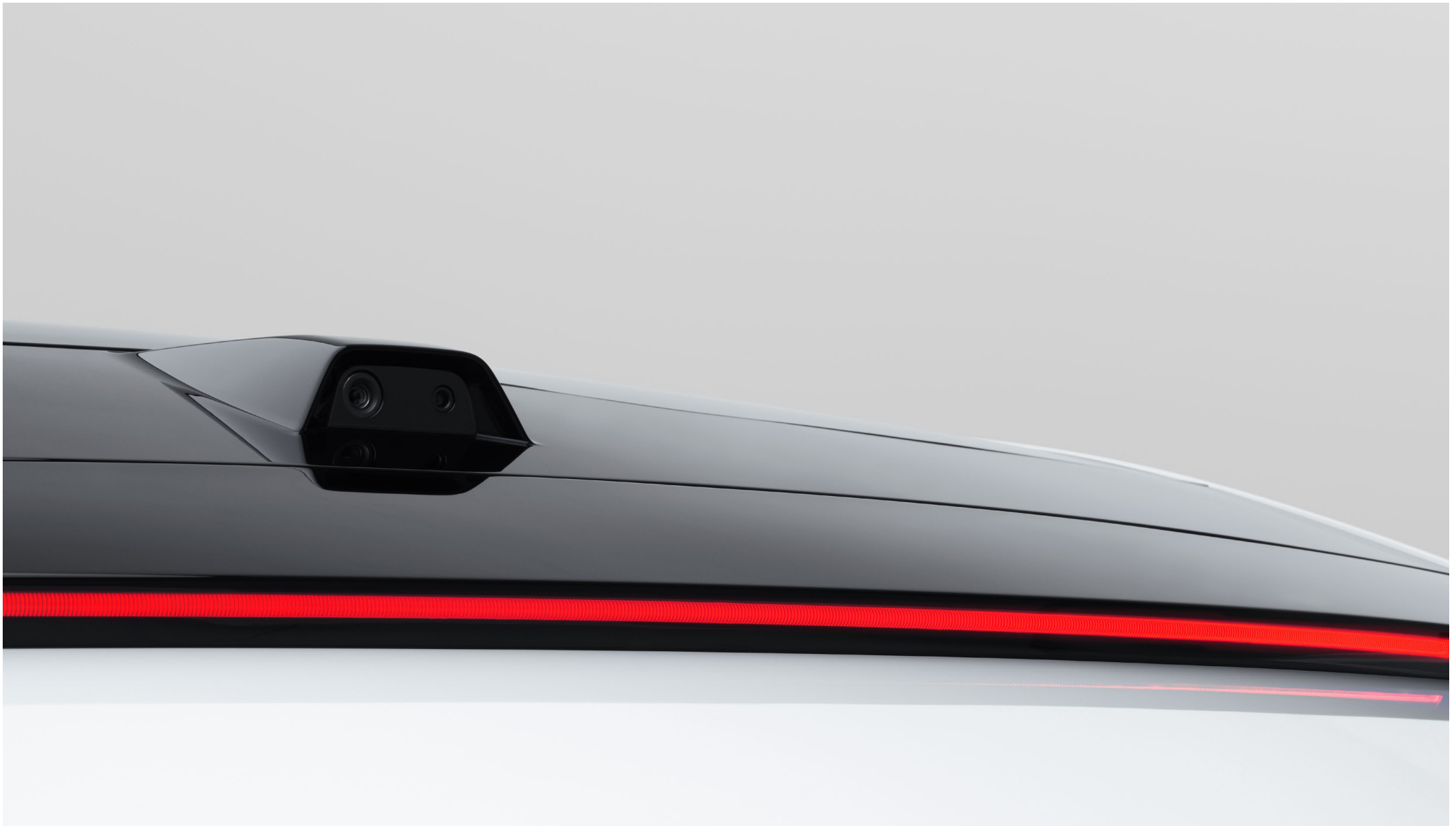
### 15.4" Landscape screen

Featuring standard Google Assistant, Google Maps, and Google Home integration.



### Solar system-inspired interior illumination

The ambient light line orbits around all occupants and can be customised with different planetary themes to suit light conditions and mood.



Rear-facing HD camera

This is the rear window. The high-definition camera looks past all intrusions to make rearward vision clearer, wider, and safer.



Polestar 4

Rear motor  
100 kWh / 200 kW

## Outer design

The Polestar design language continues with a sleek, aerodynamic coupé profile, ideally suited to the electric powertrain. The low, sporty front, the rear aero blades, and a completely flat floor work together to optimise range and efficiency. Frameless mirrors and flush door handles are also designed to improve air flow.





### Headlights

The daylight running lights wear the Polestar signature dual blade design. Underneath the lower blade is a 32 pixel headlamp, blending minimalist aesthetics with intelligent adaptive technology in all light conditions.



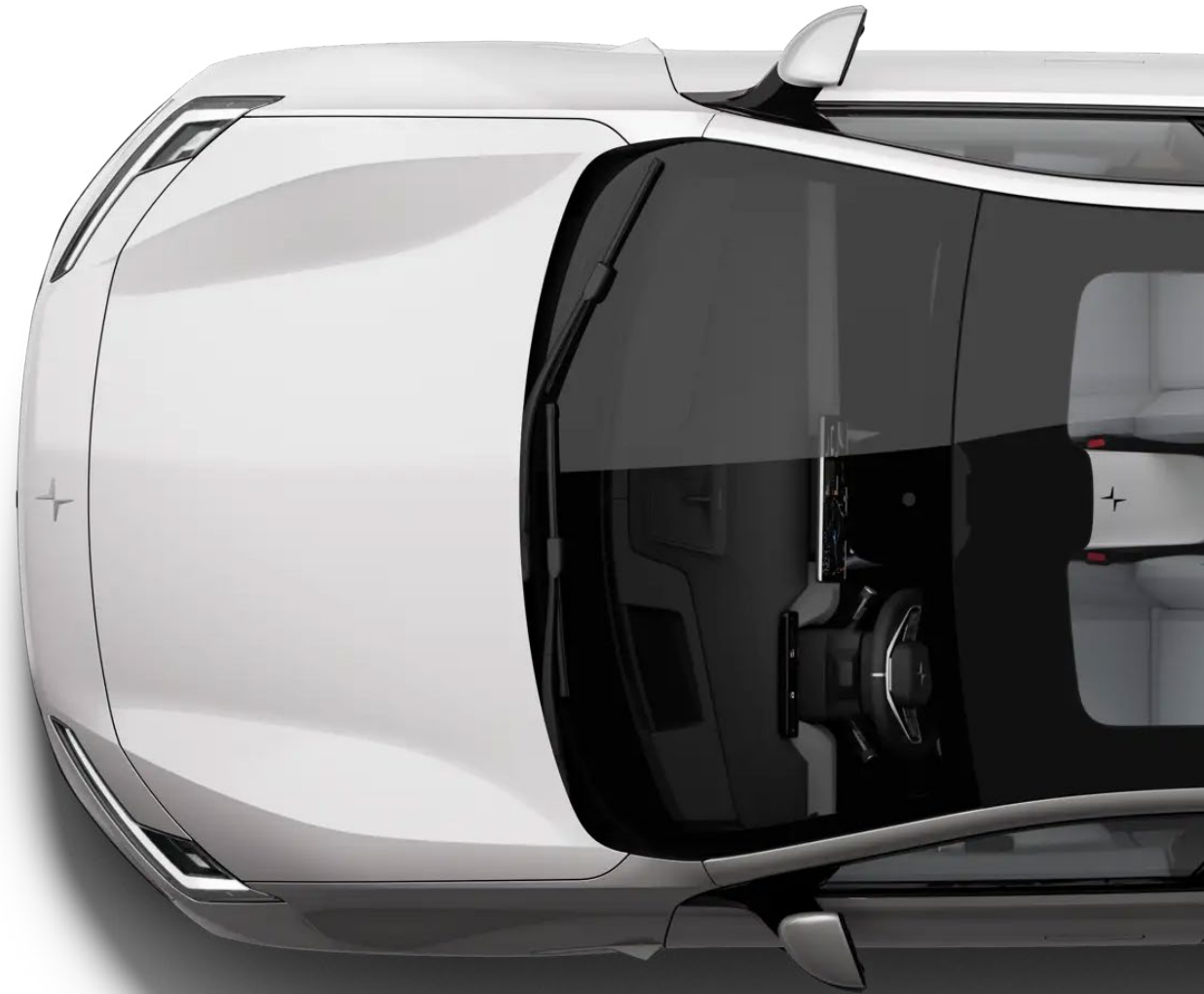
**Aerodynamics**

The sleek, aerodynamic coupé profile is the perfect form for the electric era, combining a spacious interior with a sporty silhouette.

**Rear light bar**  
The rear light bar adapts to the surrounding light conditions by constantly adjusting its illumination.

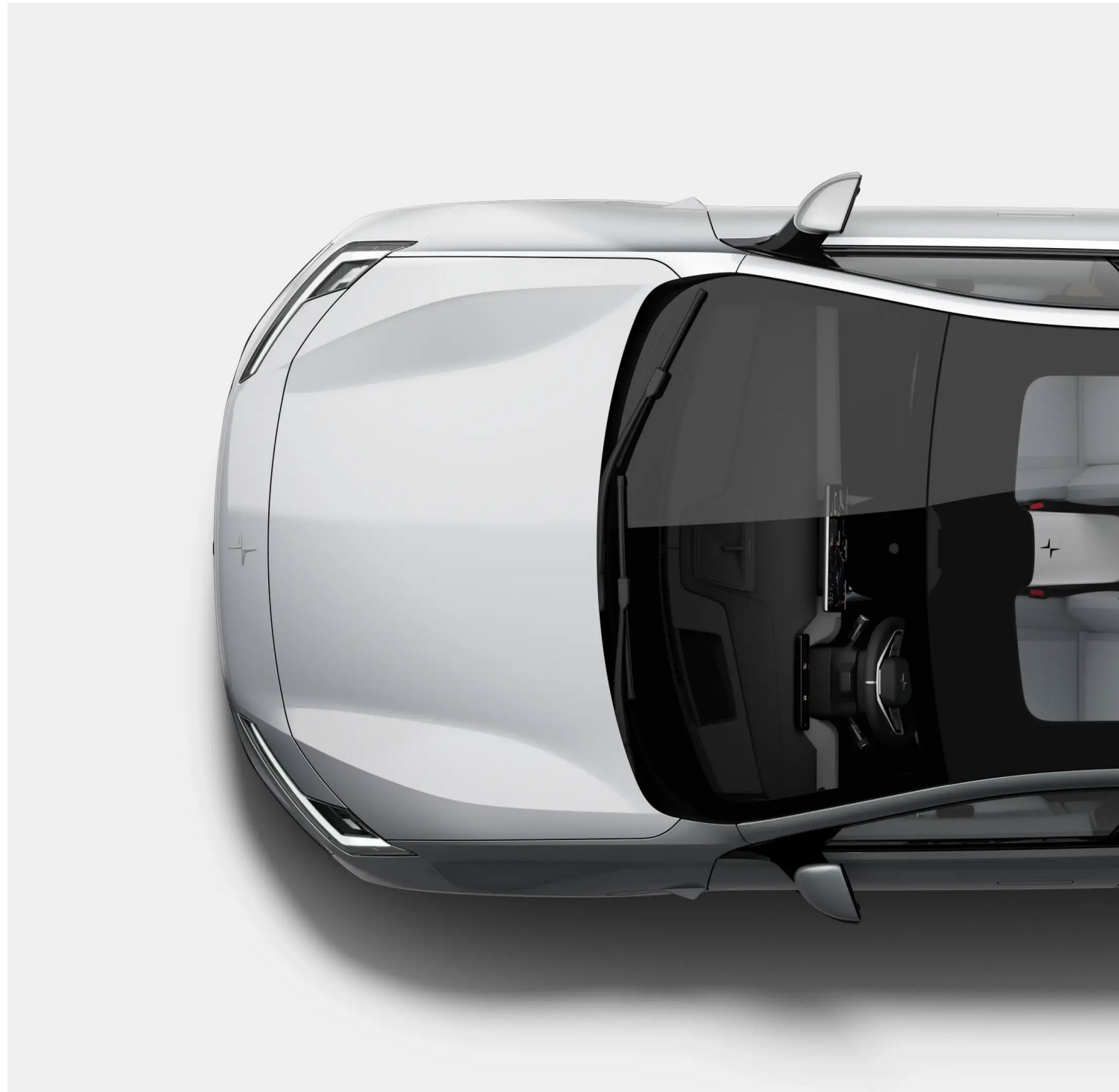


Snow

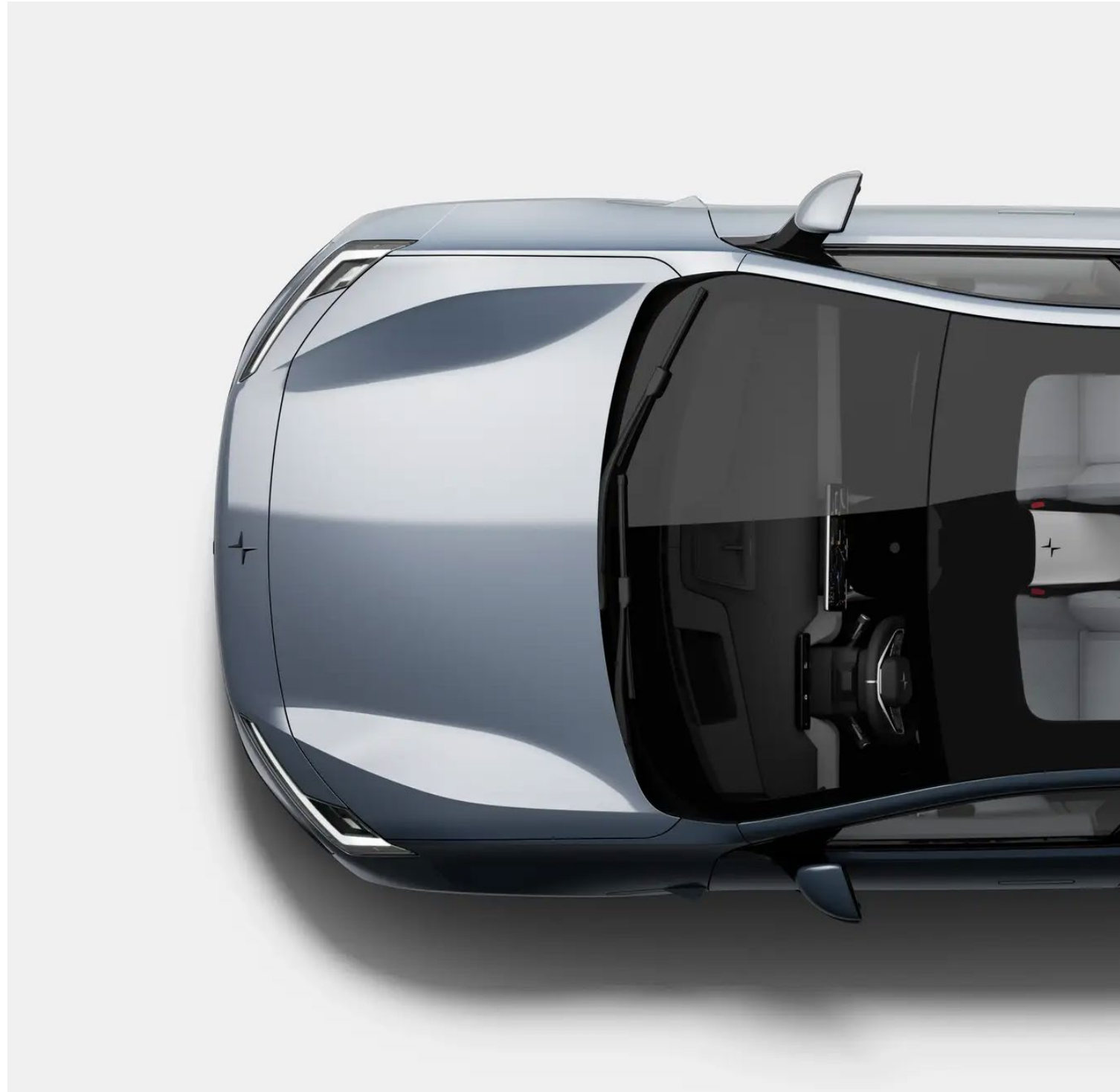


Exterior colour options

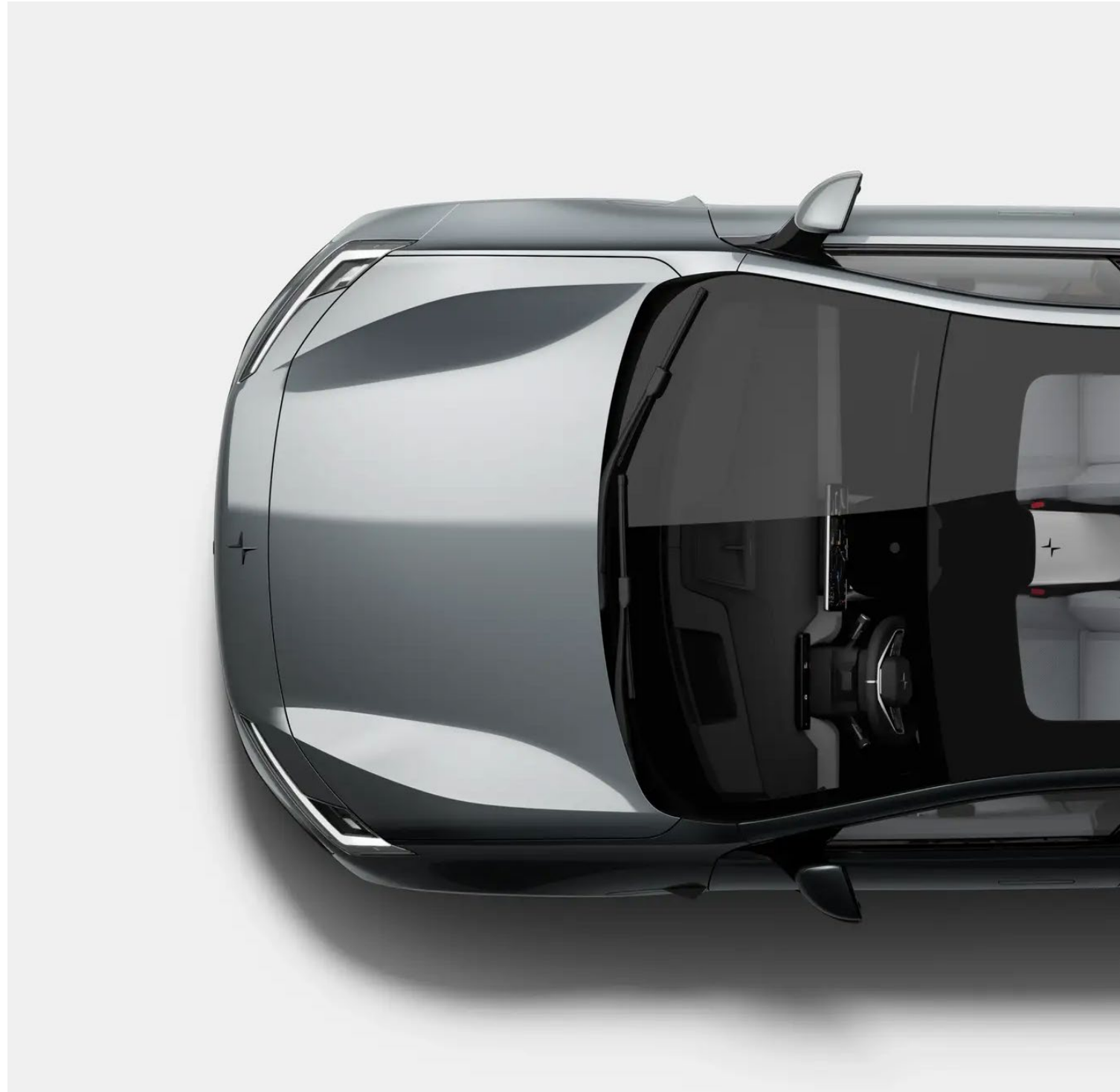
Magnesium



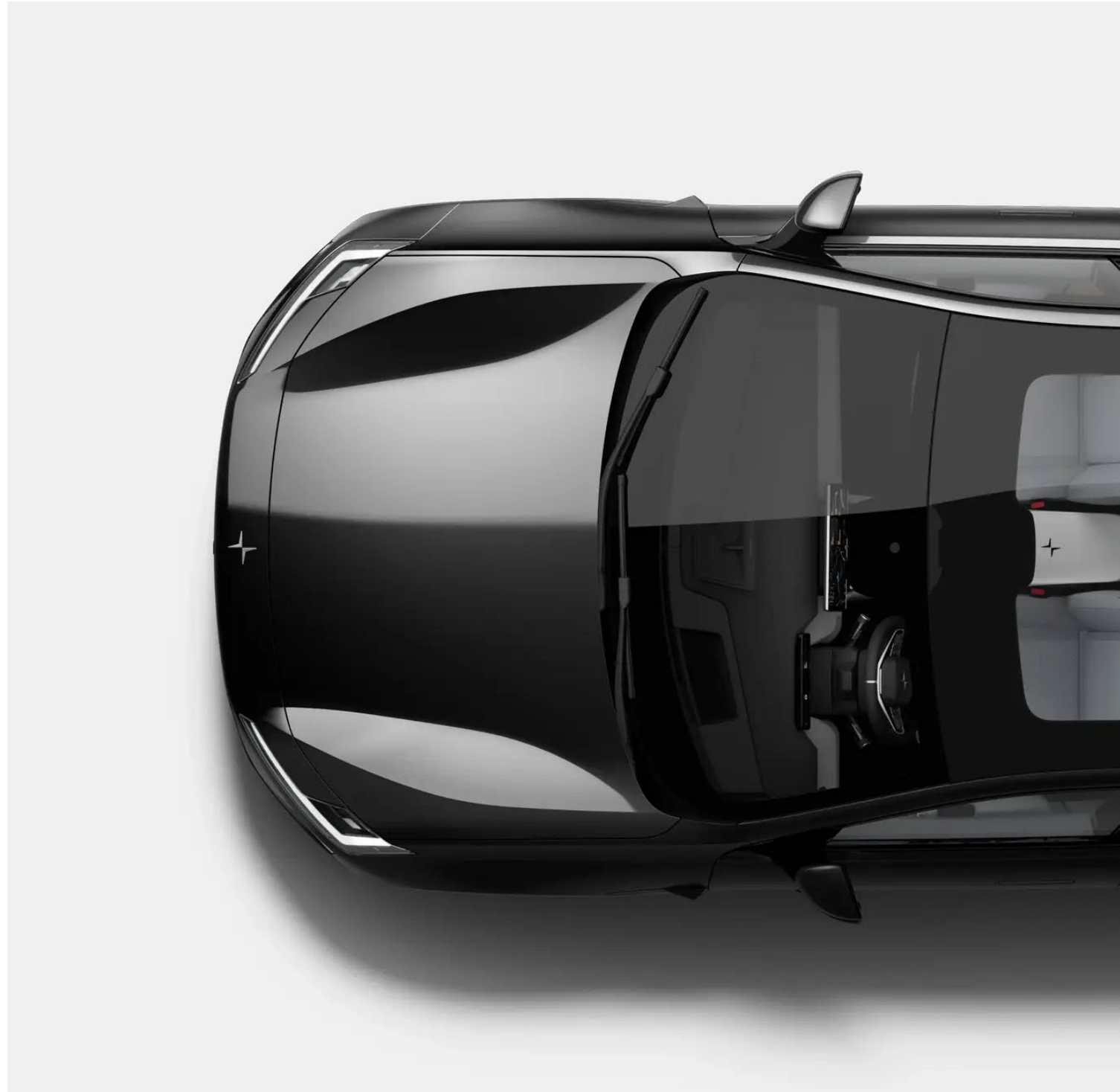
Electron



Storm



Space



20" Aero



18

Wheel options

21" Sport



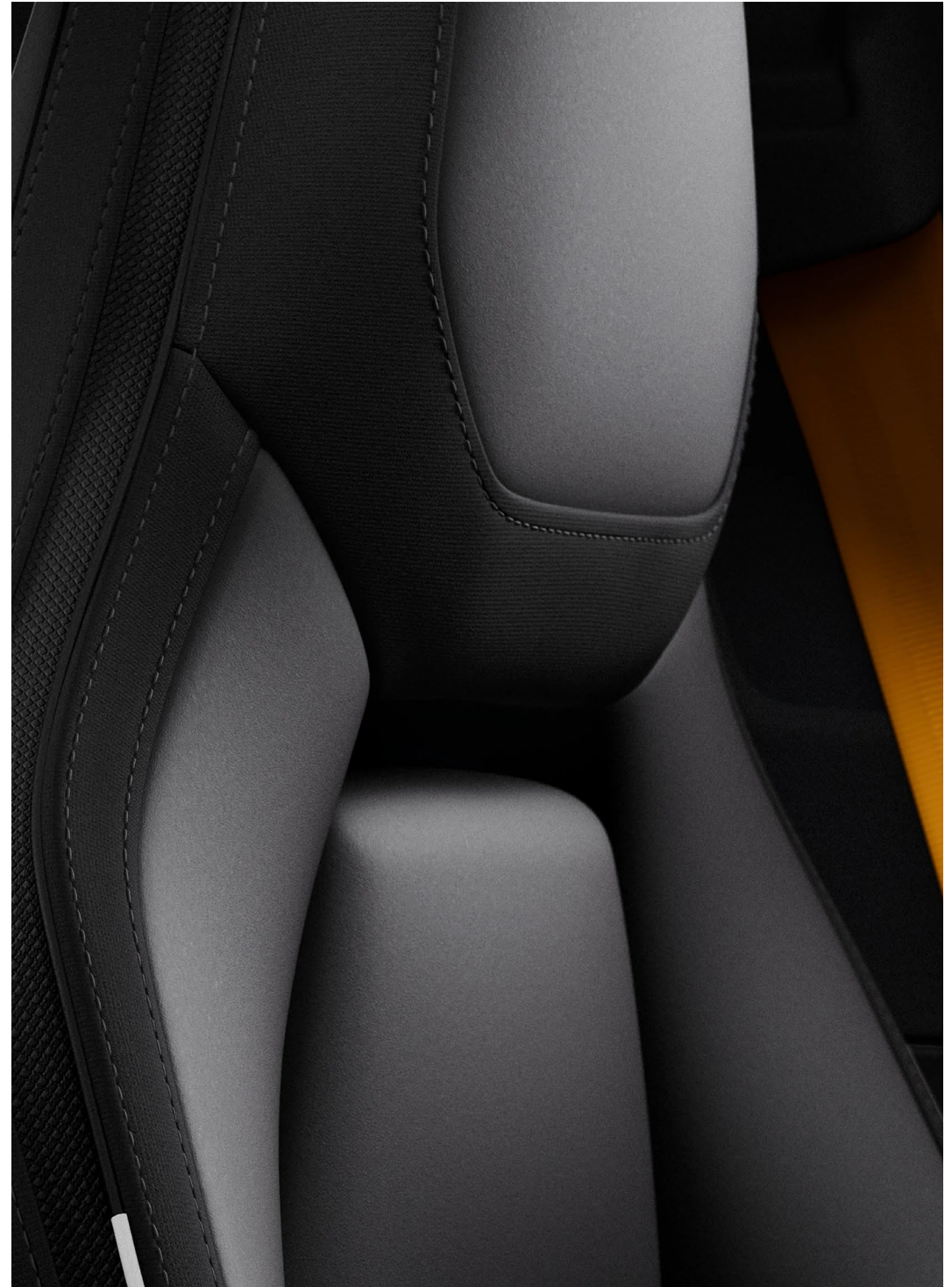
22" Performance





## Inner space

The EV for passengers and drivers. The stretched panoramic roof creates a light and airy interior experienced from the comfort of every seat. The absence of a rear window creates a modern and spacious environment with plenty of headroom for those in the rear. As night falls the ambient lighting again floods the cabin with shades inspired by the solar system. The seats are electrically adjustable in the front and electrically reclinable in the rear.



Bridge of Weir leather in Zinc with Charcoal deco  
(Nappa upgrade)



Interior fabric options

Tailored knit in Mist with Zinc deco  
(Single option)



Bridge of Weir leather in Charcoal with Charcoal deco  
(Nappa upgrade)

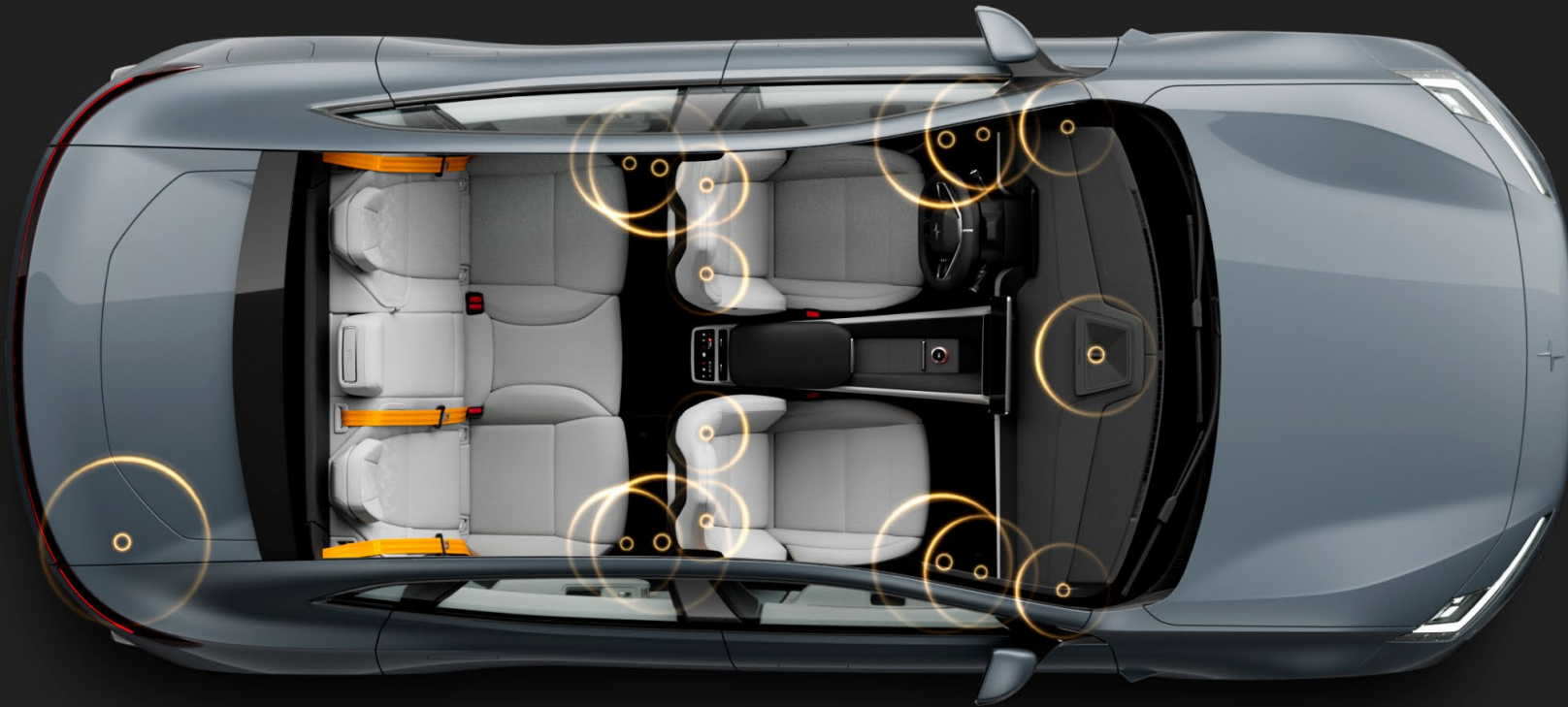


Bio-attributed MicroTech in Charcoal with Charcoal deco  
(Performance pack)



Bio-attributed MicroTech in Charcoal with Zinc deco  
(Standard)





#### Sound system

Harman Kardon Premium Sound elevates the audio experience in the Polestar 4. With 16 interior speakers and producing 1400W via a channel-hybrid amplifier, the system delivers unparalleled clarity, pitch and power. Immerse yourself in a world of precision-tuned sound that enhances every moment of your journey.



**Panoramic roof**  
Arching above all passengers from front to rear, the generous panoramic glass roof floods the interior with light.



**Camera rear window**  
This not only provides a better rearward view, but also a spacious rear seating area with plenty of headroom.



Polestar 4

Performance  
100 kWh / 400 kW

## Packs and single options

Polestar 4 comes with a carefully curated range of packs, colours, sustainable materials, and single options, making the electric experience even more personal.



Range up to WLTP

620 km

Torque

343 Nm

Power up to

200 kW

272 hp

0-100 km/h / 0-62mph

7.1 sec

Top speed

200 km/h

Range up to WLTP

590 km

Torque

686 Nm

Power up to

400 kW

544 hp

0-100 km/h / 0-62mph

3.8 sec

Top speed

200 km/h

Dual motor

33

Includes

- Pilot assist
- Lane change assist
- Park assist pilot

Pilot pack



**Includes**

- Heated steering wheel
- Power operated steering column
- Easy ingress/egress
- 12-way electrical seats with mechanical cushion extension

(Only available in Europe and Australia, included in Plus pack for rest of markets.)

**Comfort pack**



**Includes**

- Graphical Head-up display
- Harman Kardon premium sound
- Pixel LED headlights with adaptive high beam
- 3-zone climate with AQM PM 2.5 sensor
- Interior illumination Star knit deco & high-level illumination
- Illuminated Polestar logo in front
- Power operated tailgate with handsfree opening & soft close
- Net pocket in rear luggage compartment
- Rear control and entertainment screen
- Electric reclinable rear seat backs
- Heated rear seats

(Requires Comfort pack)

**Plus pack**



**Includes:**

- 22" Performance
- Performance optimised tyres
- Brembo brake callipers in Swedish gold
- Performance Engineered performance discs
- Polestar Engineered chassis tuning
- Swedish gold seatbelts
- Swedish gold valve caps

(Requires Dual motor and Plus pack)

## Performance pack



**Includes:**

- Bridge of Weir leather in Zinc
- Bridge of Weir leather in Charcoal
- Ventilated front seats with massage
- Harman Kardon headrest speakers in front seats
- Rear comfort headrests
- Brushed textile headlining
- Charcoal deco

(Requires Plus pack)

## Nappa upgrade



**Includes:**

- Colour upgrade
- Premium colour upgrade
- Body-coloured lower claddings
- Electrochromic glass roof (requires Plus pack)
- Privacy glass on rear windows
- Power foldable towbar
- 22 kW AC-charging (requires Plus pack)
- 21" Sport wheels (incompatible with Performance pack)
- Tailored knit in Mist with Zinc deco (requires Plus pack)
- Charging cable for home/public wallbox

**Single options**





## Safety

Polestar 4 has a 5-star Euro NCAP rating and achieved the highest ever score in child occupant safety, due to its advanced structural design and electronic systems. Safety has been part of the Polestar DNA since the beginning, and these protective genes are evident in the Polestar 4. Cutting-edge driver assistance and impact protection systems safeguard all occupants at all times.



## Charging solutions

Reliable charging is essential when owning an electric vehicle. Adding Polestar to your fleet includes solutions for both home (Polestar Energy) and public charging (Polestar Charge), making the experience effortless.



#### Benefits

- One app. One card.
- Plug and Charge.
- Over 1,000,000 charging points.
- Discounted charging at home and abroad.
- Save up to 30% on DC and HPC charging.

## Polestar Charge

One integrated solution for public charging with access to over 1,000,000 charging points across Europe. Polestar Charge provides seamless access to leading charging partners, no multiple apps or payment methods required. An optional subscription offers exclusive charging discounts with selected providers. Savings apply from the first charge, with the flexibility to cancel at any time.

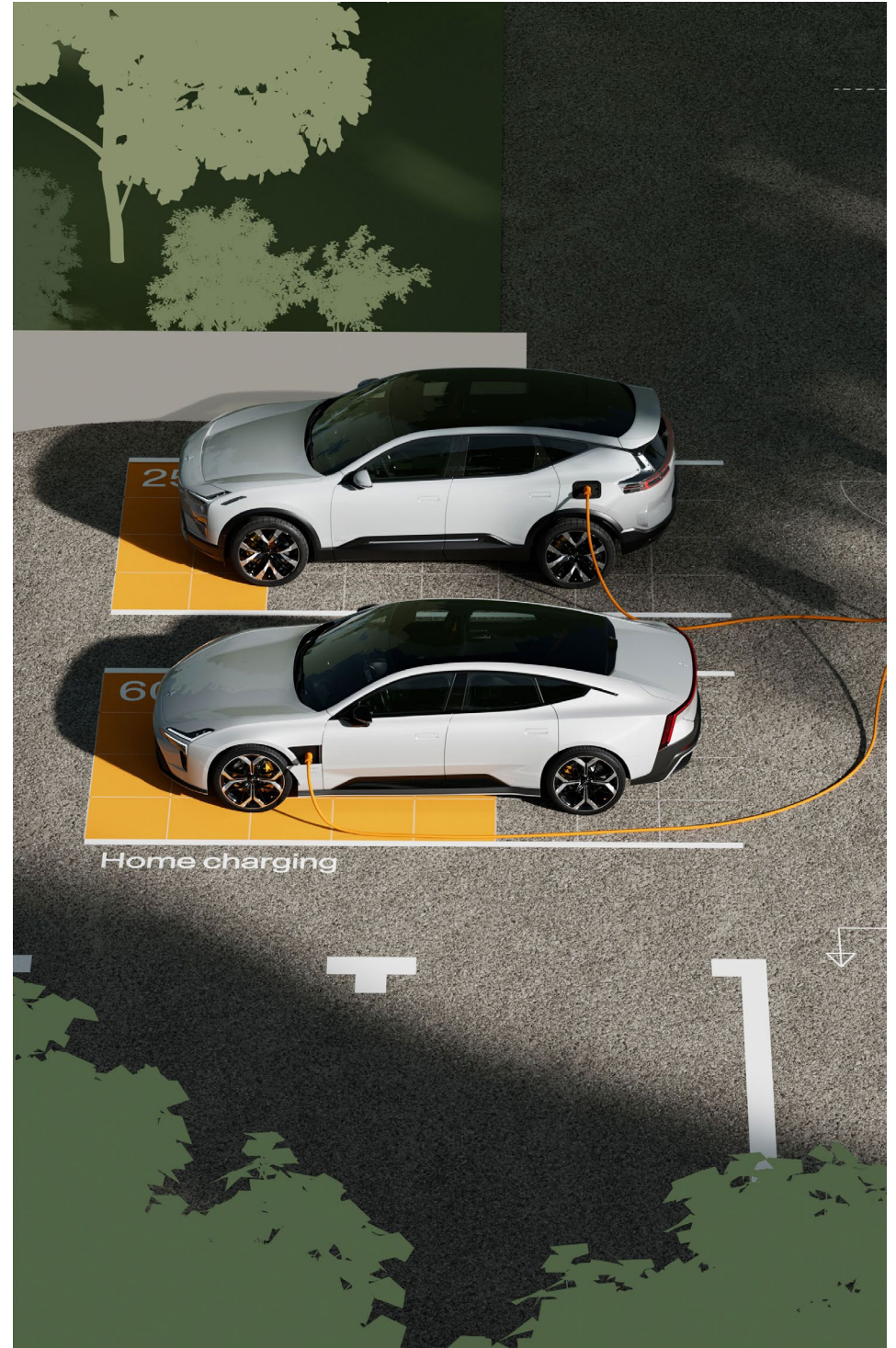




Zaptac  
Supported by Polestar Energy, with Wi-Fi smart charging and exclusive Polestar Extras offers.

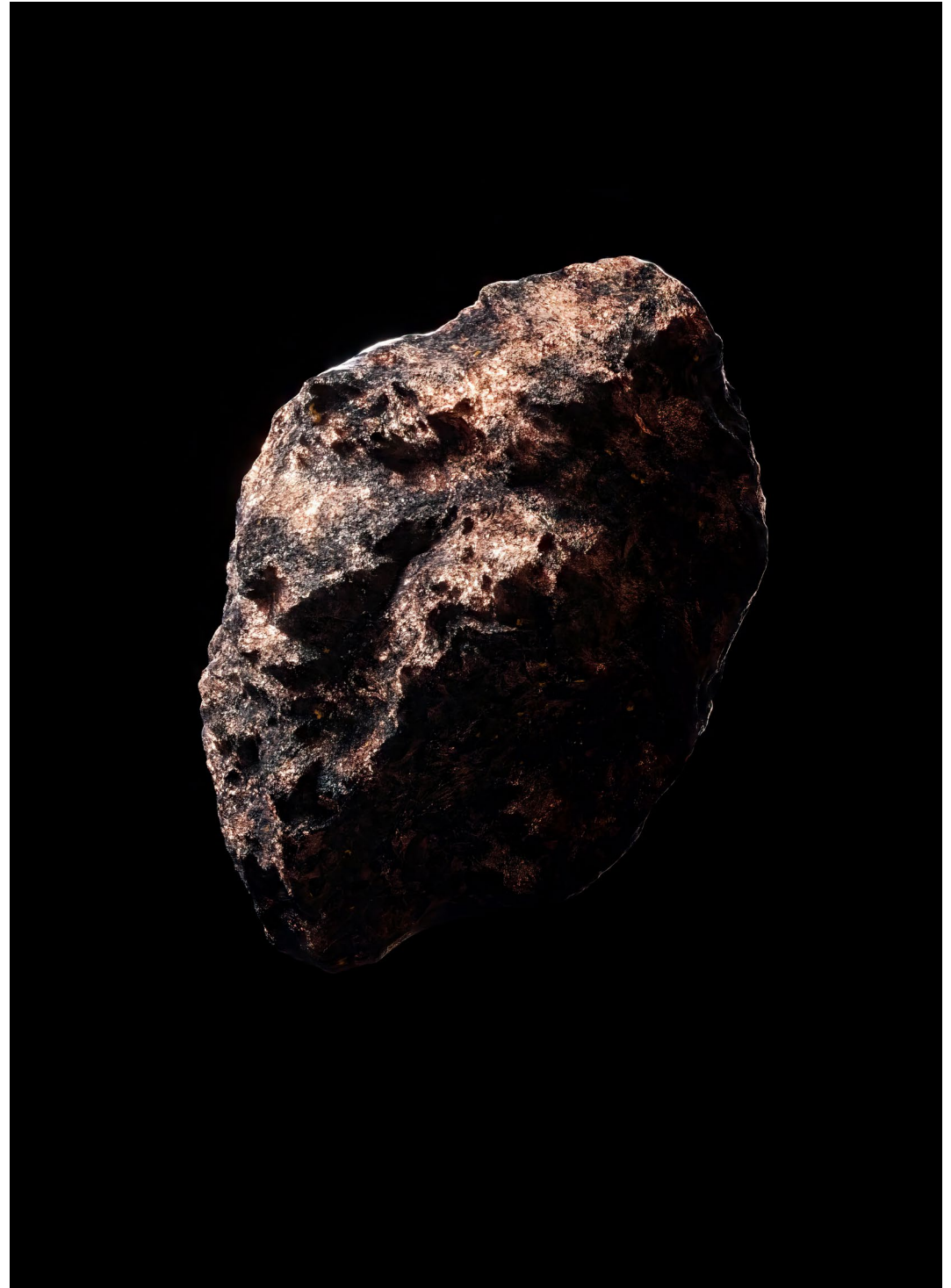
## Polestar Energy

Reduce charging costs with smart home charging. Polestar Energy, combined with Zaptac and Intelligent Octopus Go, allows you to schedule departure times and charge levels via the Polestar Energy app, optimizing charging for cost-effective, renewable energy.



## Next-level sustainability

Leaving a smaller climate footprint is a core Polestar principle. Polestar 4 is another step forward in our journey to use more responsibly sourced materials and solutions, reduce greenhouse gas emissions, increase transparency and promote circularity.



Curb weight

**2230-2355 kg**

Long range Single motor

Long range Dual motor

Wheelbase

**2999 mm**

Dimensions

**L: 4840 mm**

**H: 1534 mm**

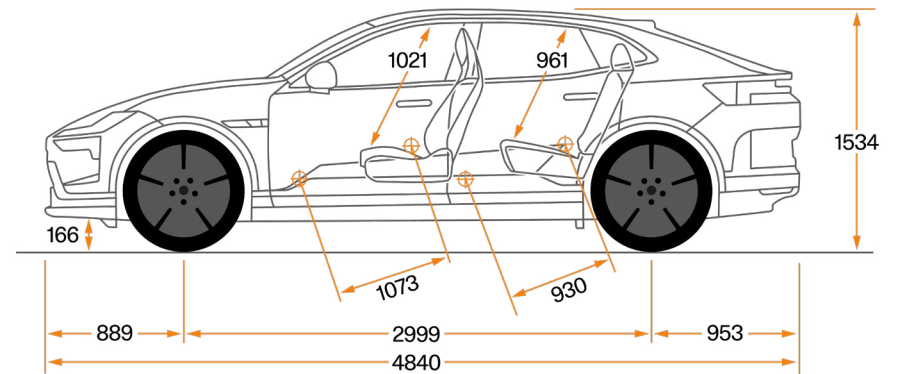
**W: 2139 mm**

Centre display

**15.4"**

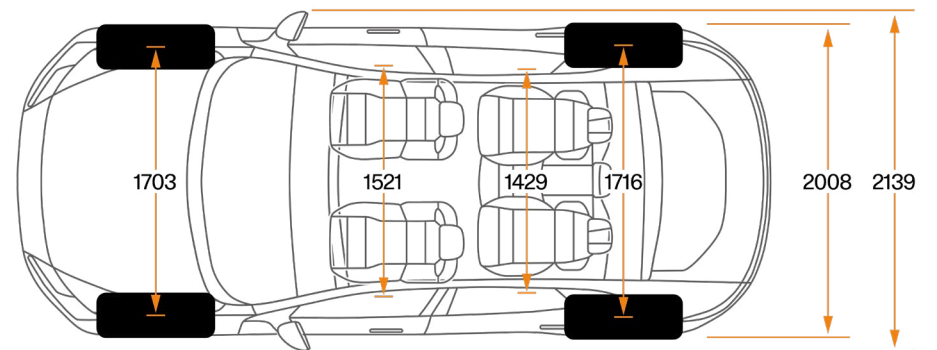
Luggage volumes front/rear

**15 L / 526 L**

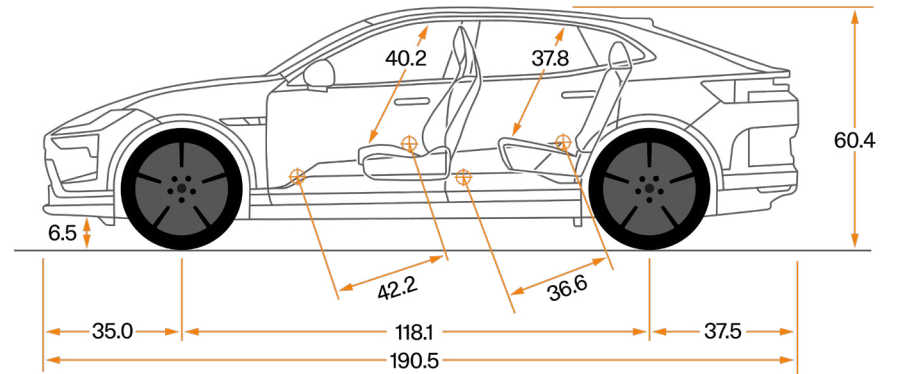


Technical dimensions  
Europe in mm

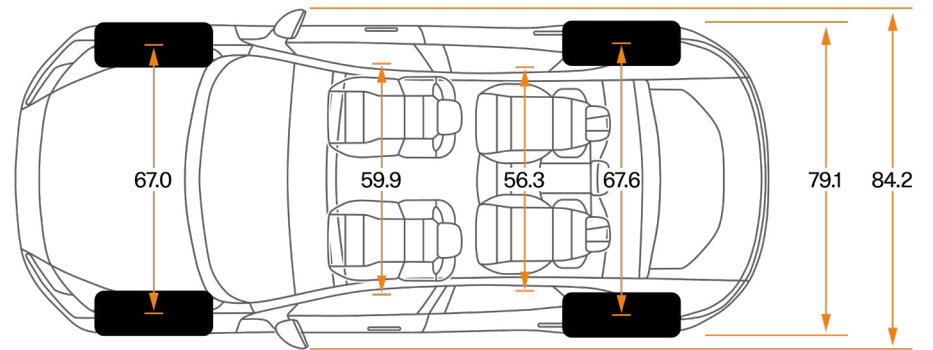
47



Dimensions (mm): L-4840 mm H-1534 mm W-2139 mm  
 Wheelbase (mm): 2999 mm  
 Tyre specs: 21" 265/45 295/40 – 22" 265/40 295/35  
 Luggage volumes front/rear (liters): 15 L / 526 L



Technical dimensions  
USA in inches



Dimensions (inches): L-190.7" H-60.4" W-84.2"  
 Wheelbase (inches): 118.1"  
 Tyre specs: 21" 265/45 295/40 – 22" 265/40 295/35  
 Luggage volumes front/rear (cubic feet): 0.5 cubic feet / 18.9 cubic feet

## Polestar

---

Polestar Performance AB  
Assar Gabrielssons Väg 9  
405 31 Göteborg, Sweden

## Connect

[polestar.com](https://polestar.com)  
[info@polestar.com](mailto:info@polestar.com)  
[facebook.com/polestarcars](https://facebook.com/polestarcars)  
[instagram.com/polestarcars](https://instagram.com/polestarcars)  
[youtube.com/polestarcars](https://youtube.com/polestarcars)  
[linkedin.com/company/polestarcars](https://linkedin.com/company/polestarcars)

## Visiting address:

Polestar HQ  
Assar Gabrielssons Väg 9  
418 78 Göteborg

## Copyright

All rights reserved.  
No part of this brochure may be reproduced, distributed or transmitted in any manner without the expressed written consent of Polestar Performance AB.

© 2026 Polestar Performance AB

The Polestar trademarks are owned by Polestar Holding AB. Other product names, trademarks and company names are property of their respective owners.

<sup>1</sup>Preliminary figures. Subject to final certification.