

# Polestar 3





## The SUV for the electric age

The Polestar collection now consists of four models and continues to expand. This is Polestar 3, an electric performance SUV defined by sculpted surfaces, discreet details, and optimised dynamics. The result is a sleeker, more technical SUV that integrates innovation and technology to enhance the driver experience and the thrill of electric driving.

Acceleration from 0 to 100 km/h

# 3.9 sec

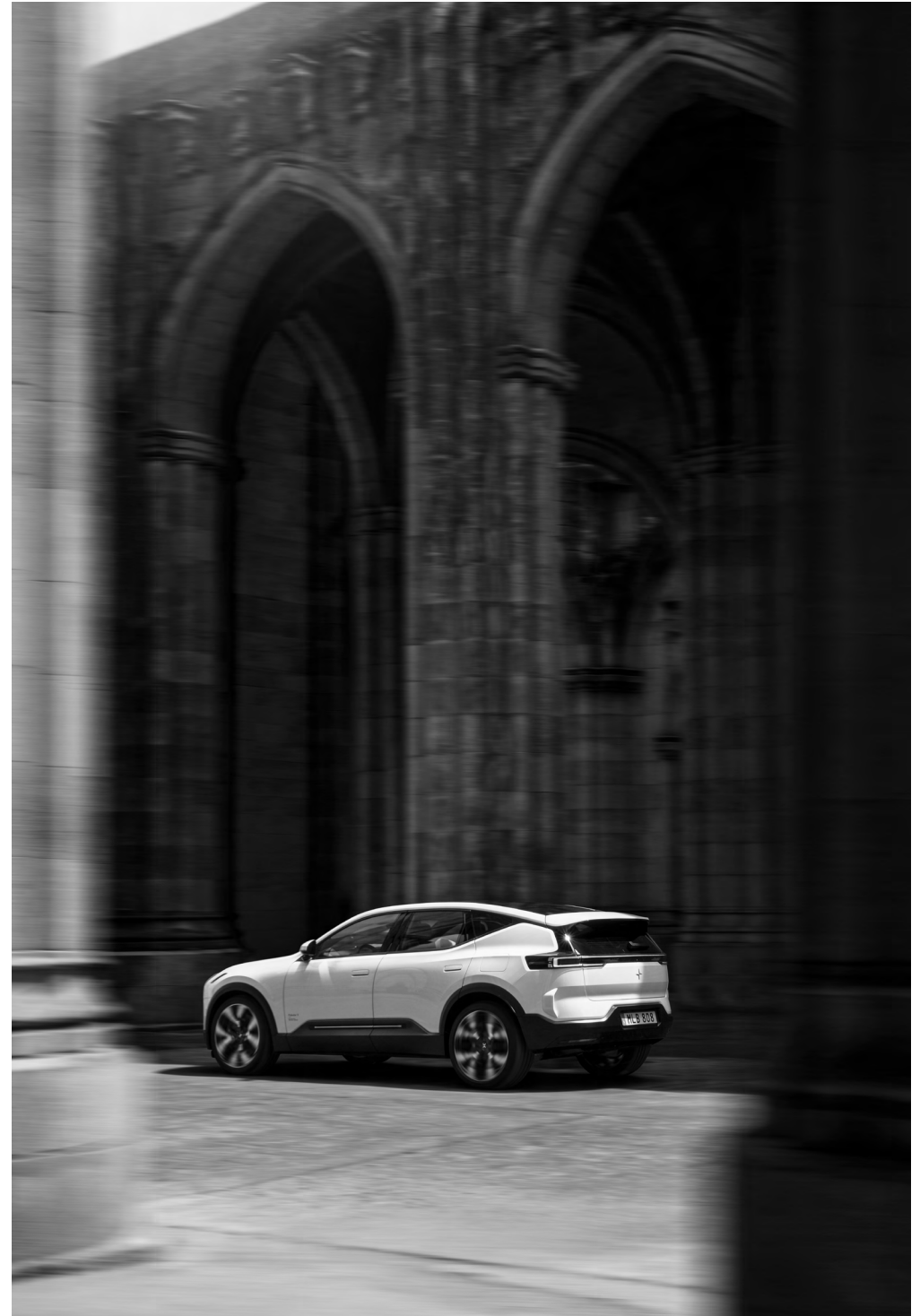
Power up to

# 500 kW

# 680 hp

## Performance

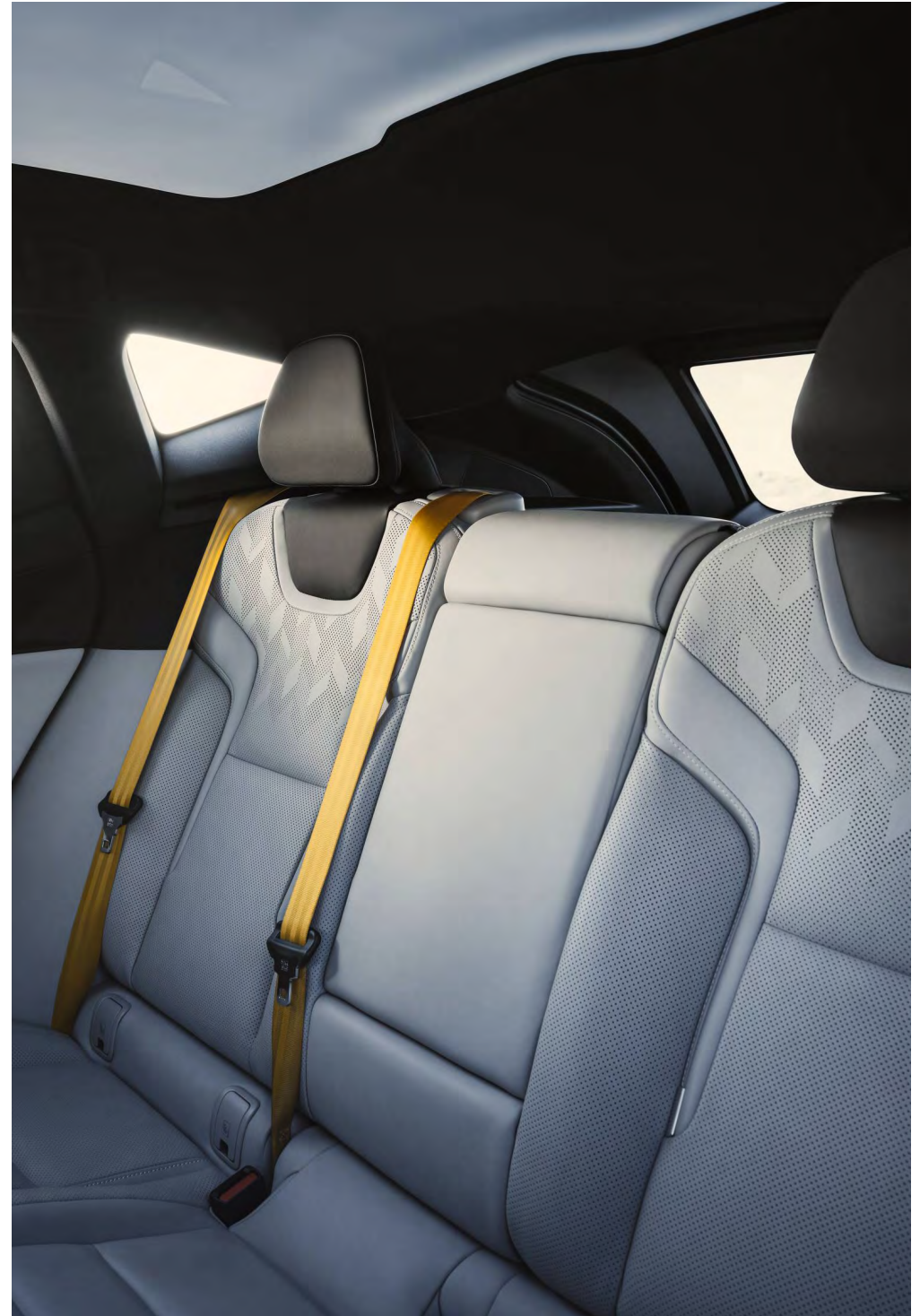
With the new 800 V battery architecture, the Polestar 3 Dual motor delivers 400 kW of power and 740 Nm of torque. The Performance version increases those figures to 500 kW and 870 Nm respectively. Advanced 4-piston calipers from racing experts Brembo are standard on each model for maximum stopping power. A Rear motor variant is also available.





## Inner space

The generous interior space of Polestar 3 is a seamless extension of the exterior design. The electric powertrain creates a flat floor throughout the cabin enhancing the feeling of space. Subtle details and curated materials find room for expression. Ambient lighting highlights vents, foot wells, and tactile door surfaces, to add a sense of luxury felt by every passenger.





## Sustainability by design

When changing the automotive landscape, electrification is a great start. But not enough. For Polestar 3, sustainability begins even before the first drive. Blockchain technology traces minerals used, and upholstery such as leather and wool, are animal welfare traced. A sustainability declaration is even printed on the seats as proof. Recycled materials are included at every opportunity, ensuring the smallest possible footprint and emissions throughout the car's lifecycle.

Bio-attributed MicroTech in Charcoal with repurposed aluminium deco  
Standard

Interior options



Bio-attributed MicroTech quilted in Nebula with repurposed aluminium deco  
Single option.



Animal welfare-secured Wool in Charcoal with repurposed aluminium deco  
Single option



Bridge of Weir leather in Zinc with Black ash deco  
Nappa upgrade

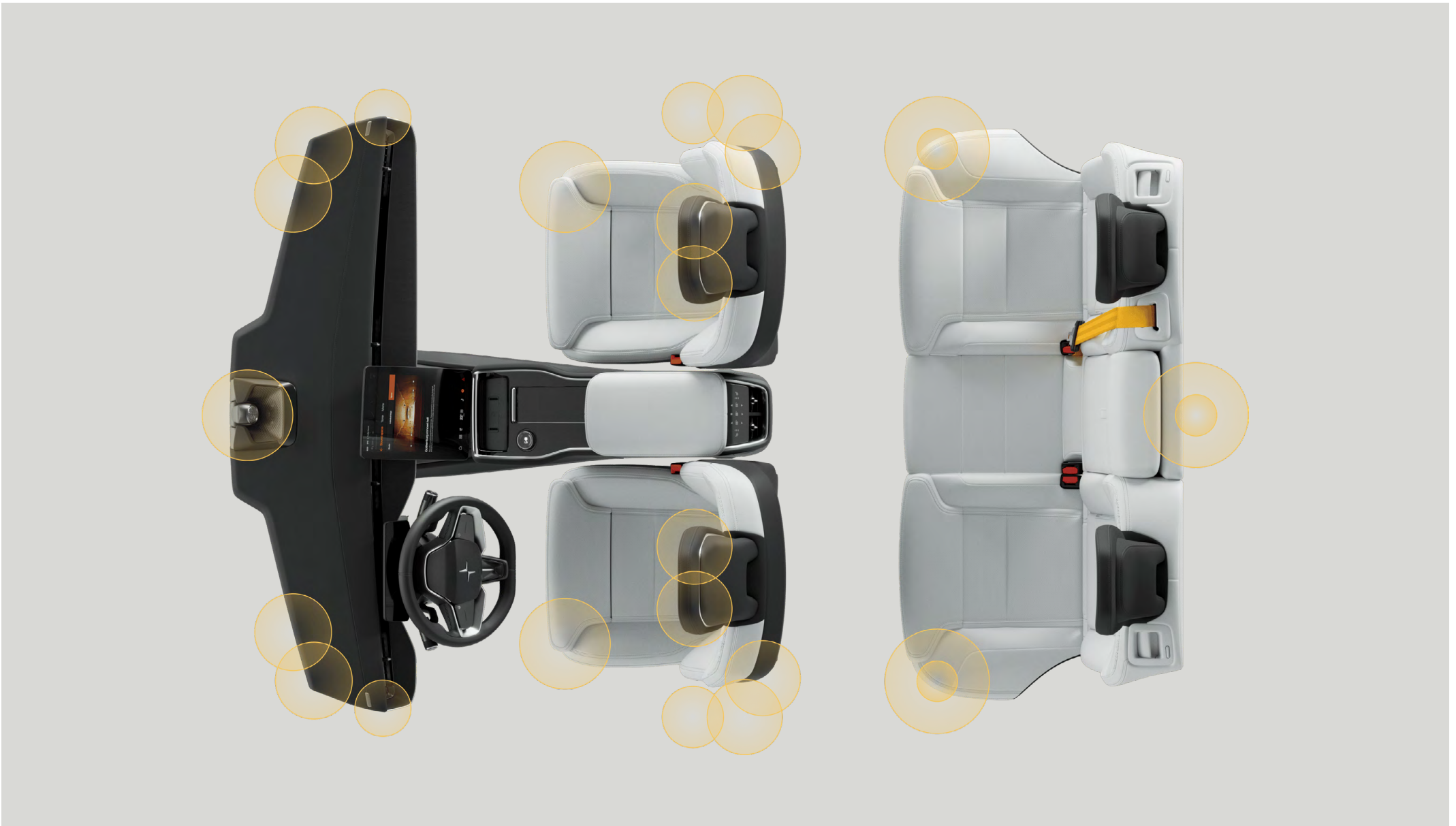


Bridge of Weir leather in Charcoal with Black ash deco  
Nappa upgrade



Bridge of Weir leather in Dune with Black ash deco  
Nappa upgrade





### Sound experiences

The Bowers & Wilkins for Polestar sound system includes 28 speakers and a total output of 1610 Watts for fully immersive 3D surround sound. Dolby Atmos technology ensures sublime clarity, depth, and detail with the Abbey Road Studios mode taking in-car audio to the next level. The High Performance Audio option also uses the Polestar 3 interior to deliver balance and memorable moments in sound. Active road noise cancellation blocks out unwanted frequencies from wind, tyre, and other road noises, but includes necessary noises such as sirens, car horns, and traffic signals.





## Outer design

Design is the tool we use to integrate the latest intelligent technology into the exterior design of Polestar 3. This results in sculpted surfaces, discreet details, and optimised aerodynamics to give a sleeker, more technical look.

### Headlights

The optional HD LED headlights use 1.3 megapixels to optimise the light pattern in all driving conditions. The pixels are also able to shade out oncoming vehicles reducing glare and improving safety. Not available in North America.



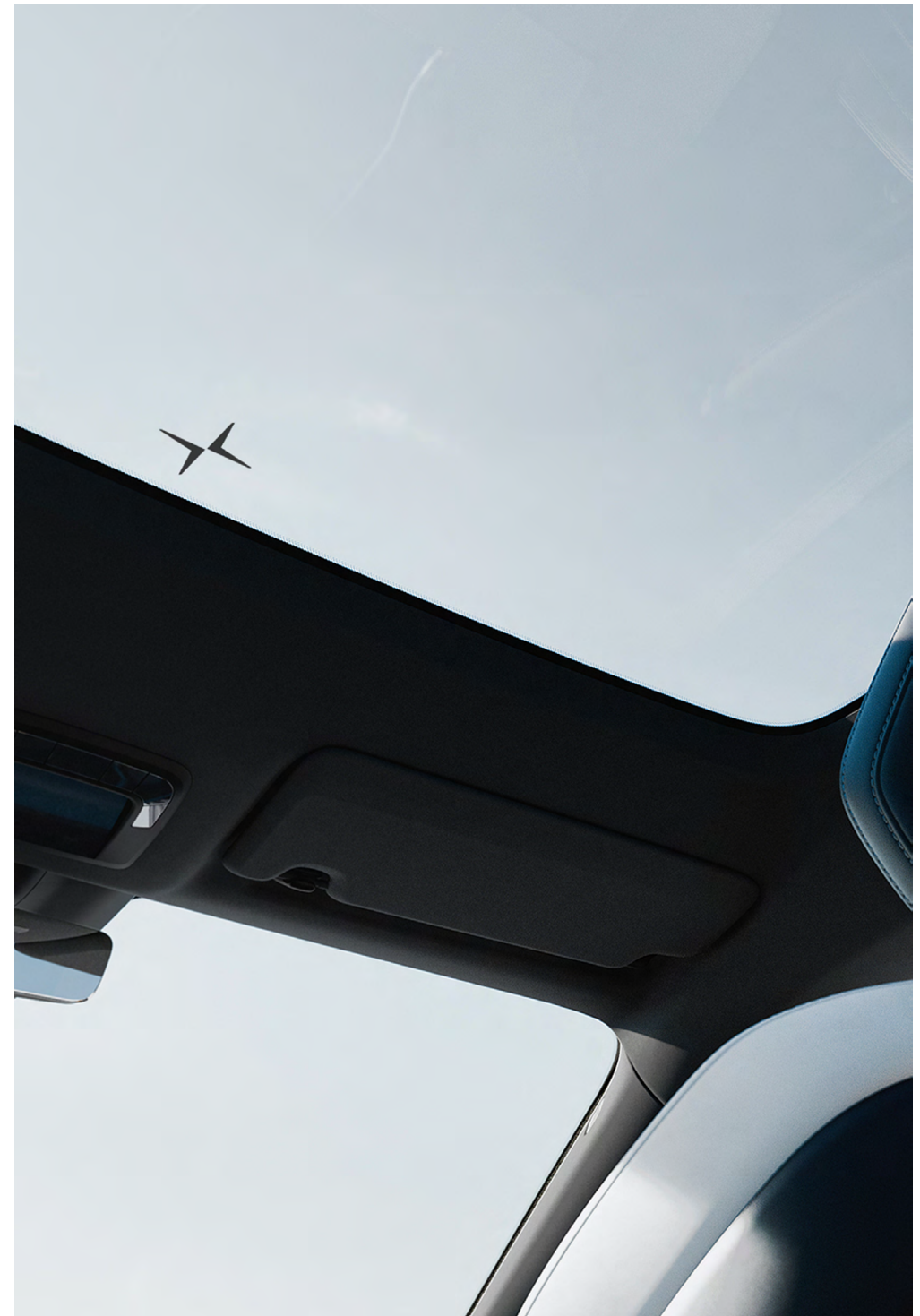


**Roofline**

By lowering the roofline, Polestar 3 has a distinctive silhouette ideally suited for electrification and without compromising on interior space.

**Panoramic roof**

Made of hi-tech, laminated glass, the panoramic roof reduces 95.5% of UV radiation, lowers cabin noise, and increases the feeling of space within and now with a Polestar logo.

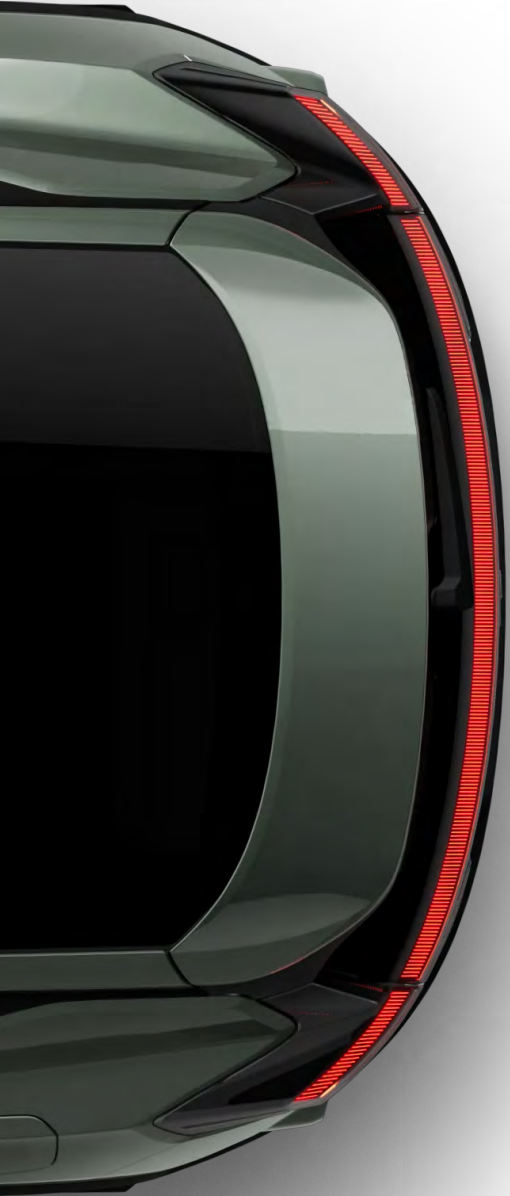




**Aerodynamics**  
The rear wing and aero blades work to optimise airflow across the body surface. This reduces drag and turbulence while optimising range.



**Rear light bar**  
The rear light bar illuminates adaptively to the surrounding light conditions.



Krypton





Magnesium





Midnight





Storm





Space





Snow



22" Performance



Wheel options

22" Sport  
Single option



21" Plus  
Single option



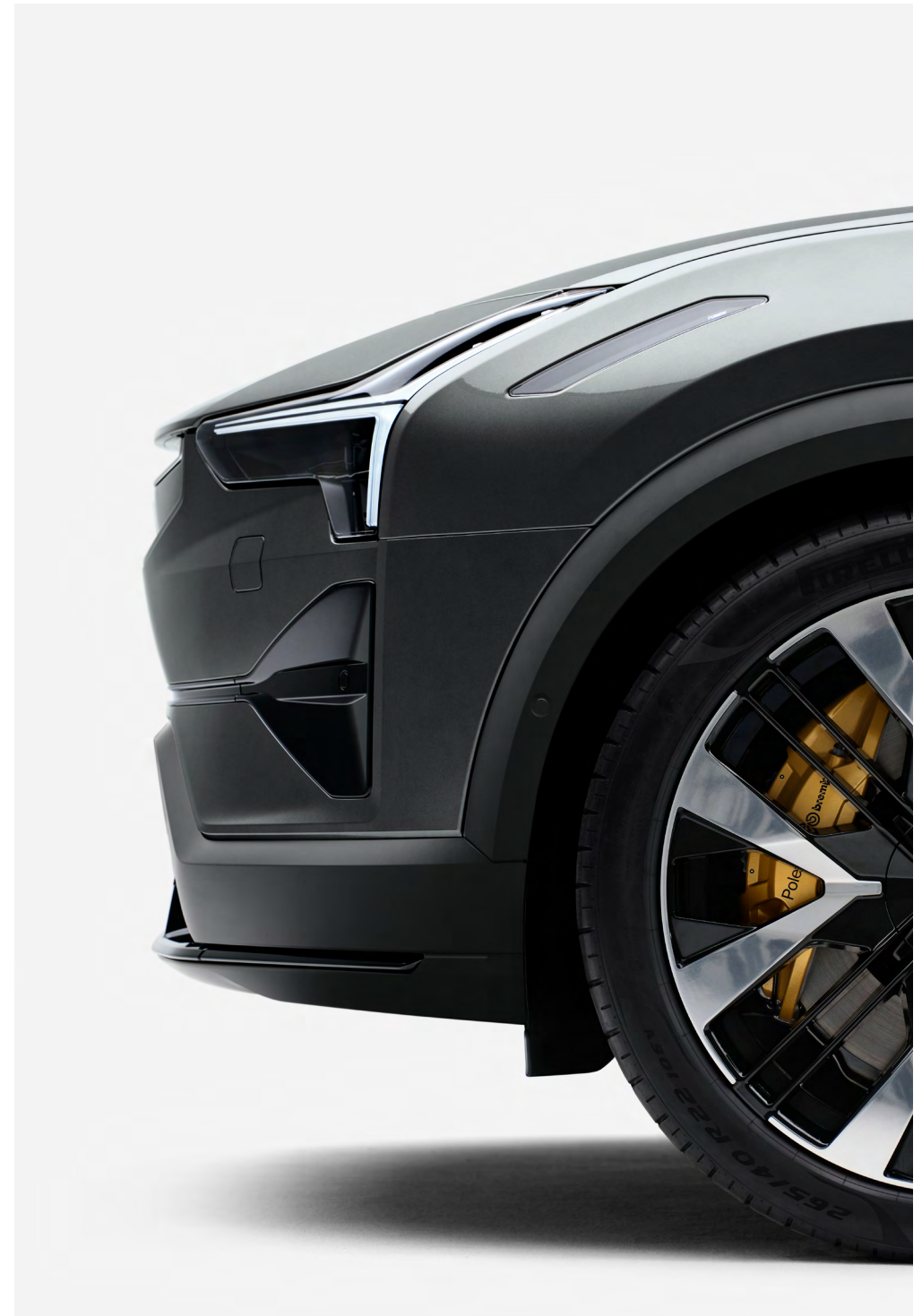
20" Aero  
Standard





## Packs and options

As well as the exclusive range of exterior colours, interior themes, and trim levels (Rear motor, Dual motor, and Performance), there's a range of packs and single options designed to personalise Polestar 3 even further.



**Includes**

- Pilot Assist
- Park assist pilot
- Lane change assist
- Curve speed assist
- 360° Cameras with 3D view

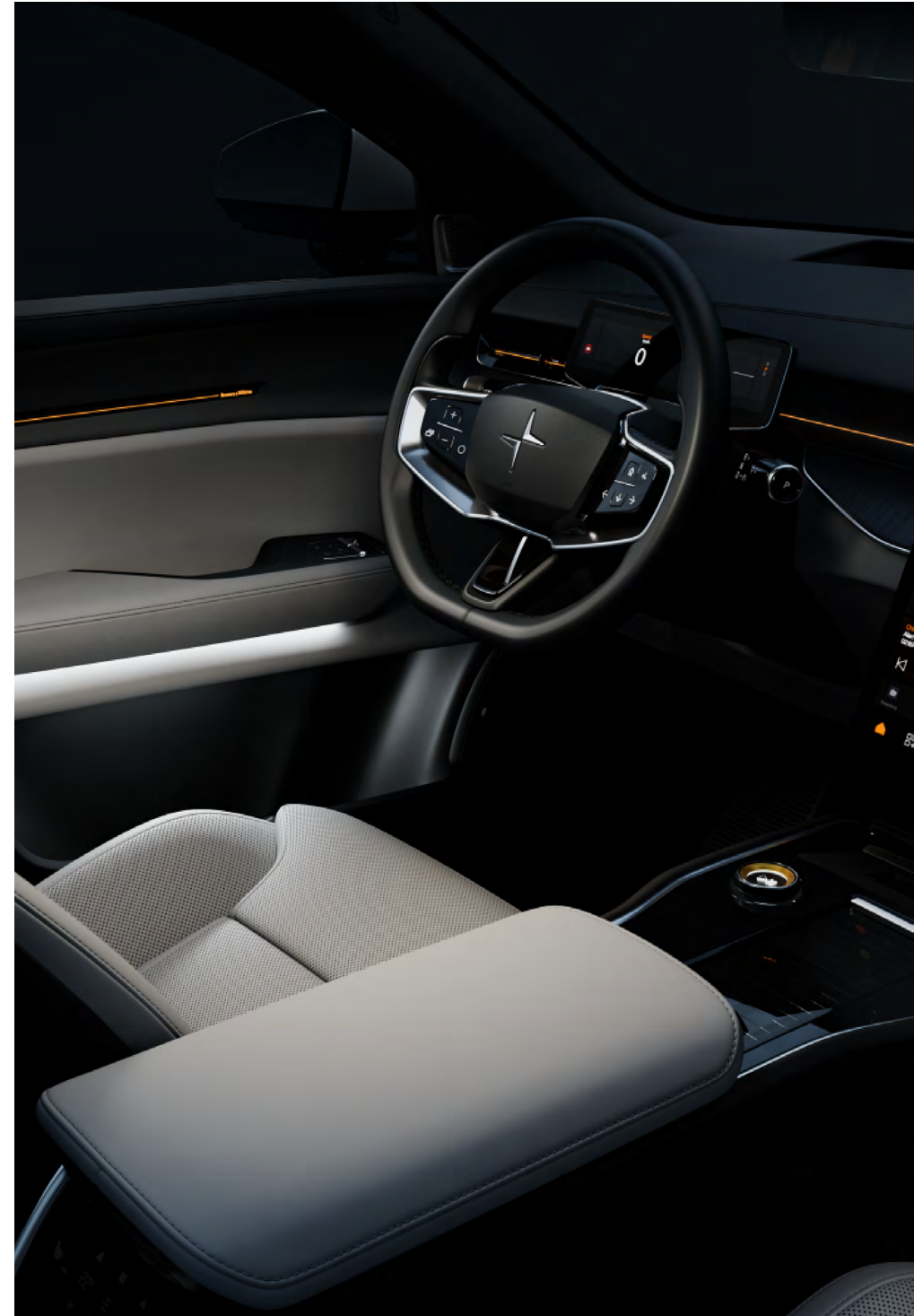
**Pilot pack**



**Includes**

- Bowers & Wilkins for Polestar – Active road noise cancelation and head rest speakers
- Graphical Head-up display
- IR Windscreen
- Acoustic lower rear windscreen
- Advance Air Cleaner (AAC) with PM2.5 particulate matter sensor
- Power operated steering column with profile memory
- Soft-close doors
- Foldable load floor rear storage compartment

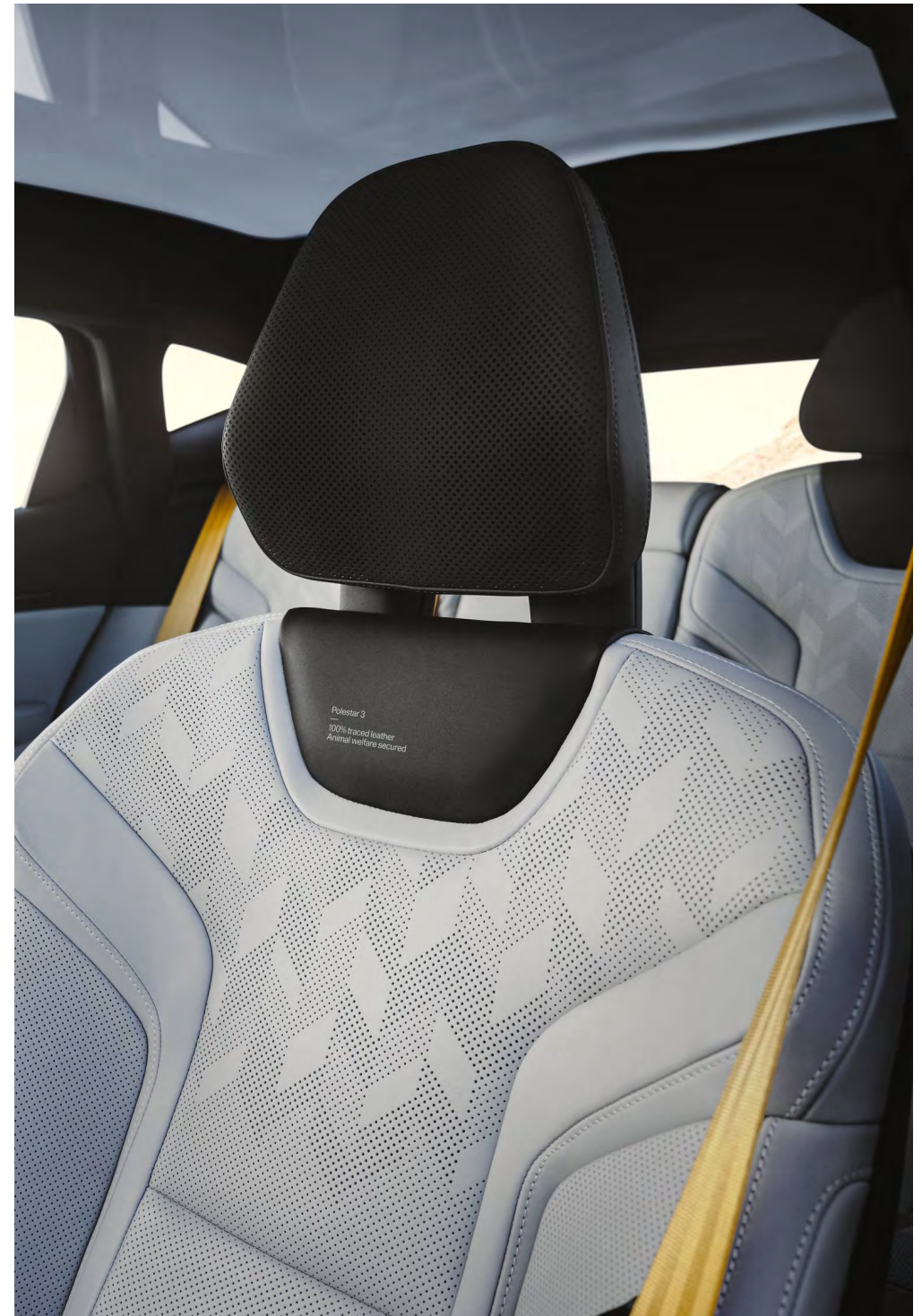
**Plus pack**



Includes

- Heated steering wheel
- Heated rear seats
- Heated front wiper blades

Climate pack

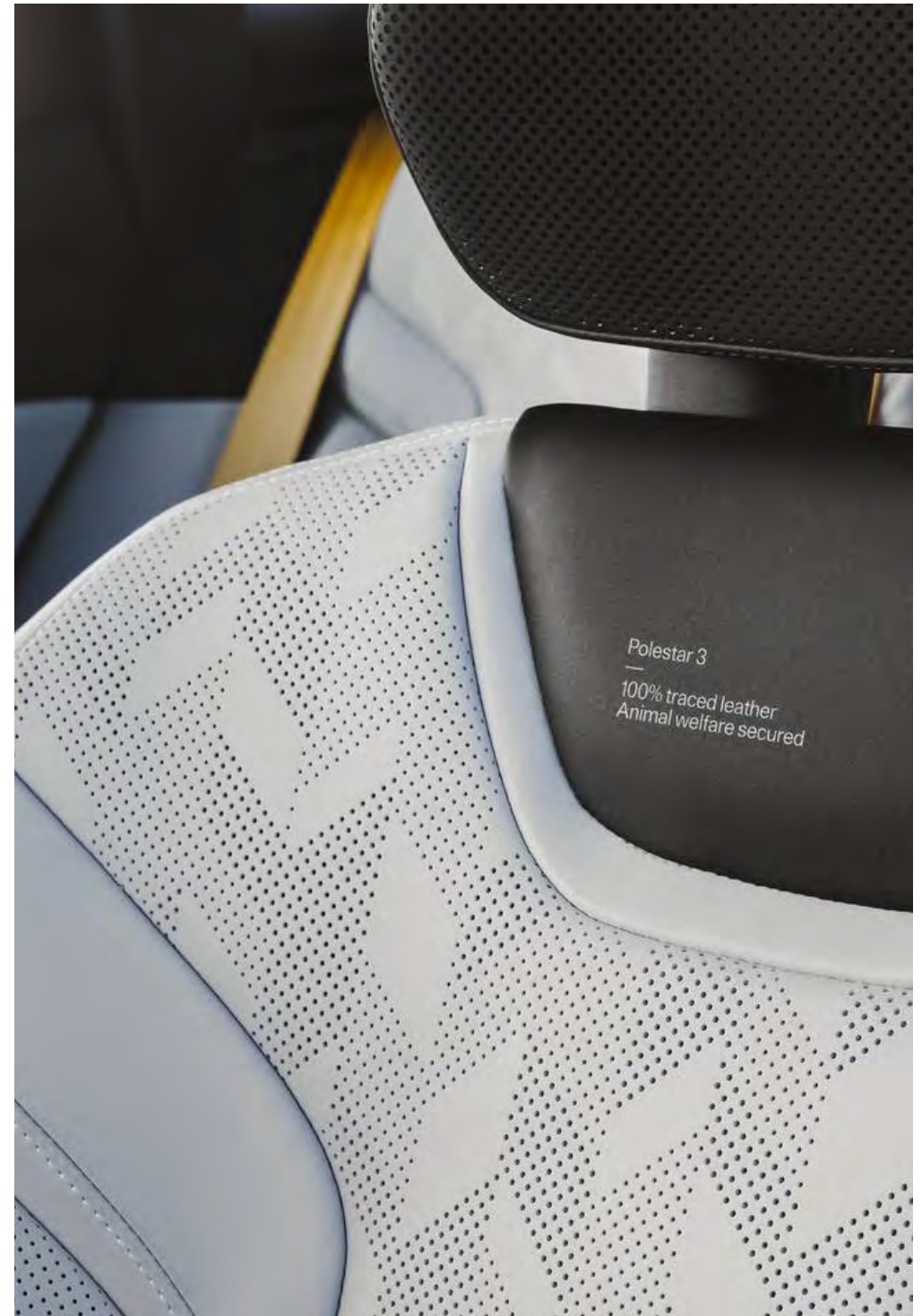


**Includes:**

- Bridge of Weir leather in Zinc
- Bridge of Weir leather in Charcoal
- Bridge of Weir leather in Dune
- Ventilated front seats with massage
- Power side support in front seats
- Black ash deco

(Requires Plus pack)

Nappa upgrade



**Single options**

- Colour upgrade
- Premium colour upgrade (Krypton and Snow)
- Bowers & Wilkins for Polestar with active road noise cancellation and head rest speakers
- 1.3 megapixel HD LED headlights (requires Plus pack, not available in North America)
- 22" Sport wheels (requires Dual motor)
- 21" Plus wheels (Not applicable with Performance)
- Dual chamber active air suspension (requires Dual motor and Plus pack)
- Electrochromic glass roof with double IR coating (requires Plus pack)
- Animal welfare wool in Charcoal with aluminium deco
- MicroTech quilted in Nebula with aluminium deco
- Power-foldable towbar
- Privacy glass on rear windows
- Charging cable for home/public wallbox

**Additional upgrades**

Variants

- Rear motor
- Dual motor
- Performance

Trim level variants



Range up to WLTP

603 km

Power up to

245 kW

333 hp

Torque

480 Nm

0-100 km/h / 0-62mph

6.5 sec

Top speed

210 km/h

Dual motor

Range up to WLTP

647 km

Power up to

400 kW

544 hp

Torque

740 Nm

0-100 km/h / 0-62mph

4.7 sec

Top speed

230 km/h

Range up to WLTP

601 km

Power up to

500 kW

680 hp

Torque

870 Nm

0-100 km/h / 0-62mph

3.9 sec

Top speed

230 km/h



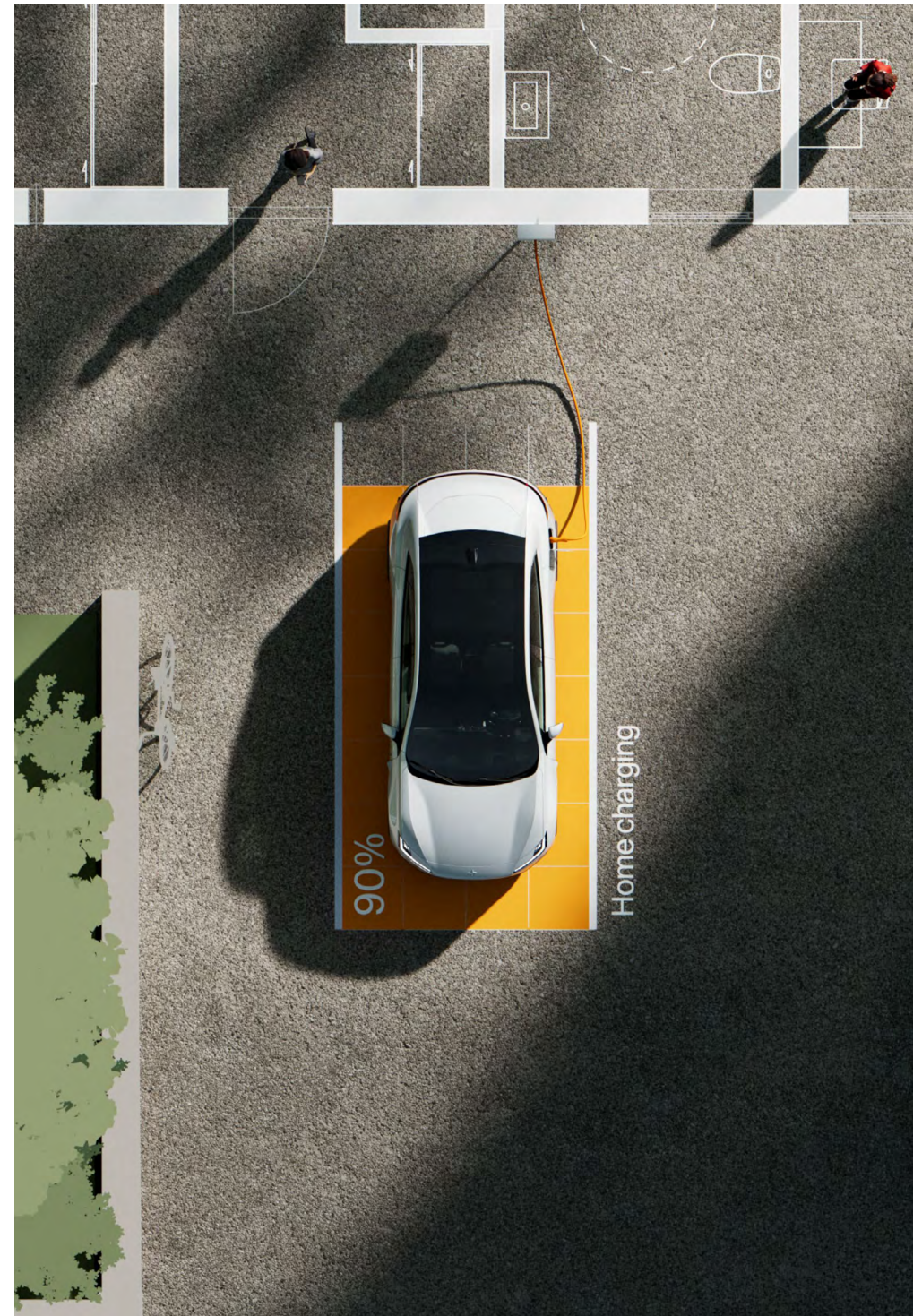
## Safety

Polestar 3 has a 5-star Euro NCAP rating and achieved the highest ever score in child occupant safety, due to its advanced structural design and electronic systems. Proven sensory technology prevents collisions, protecting pedestrians and cyclists. The driver is always informed of changing road conditions ahead as info is shared in real-time with other connected Polestar vehicles.



## Charging solutions

Reliable charging is essential when owning an electric vehicle. Adding Polestar to your fleet includes solutions for both home (Polestar Energy) and public charging (Polestar Charge), making the experience effortless.

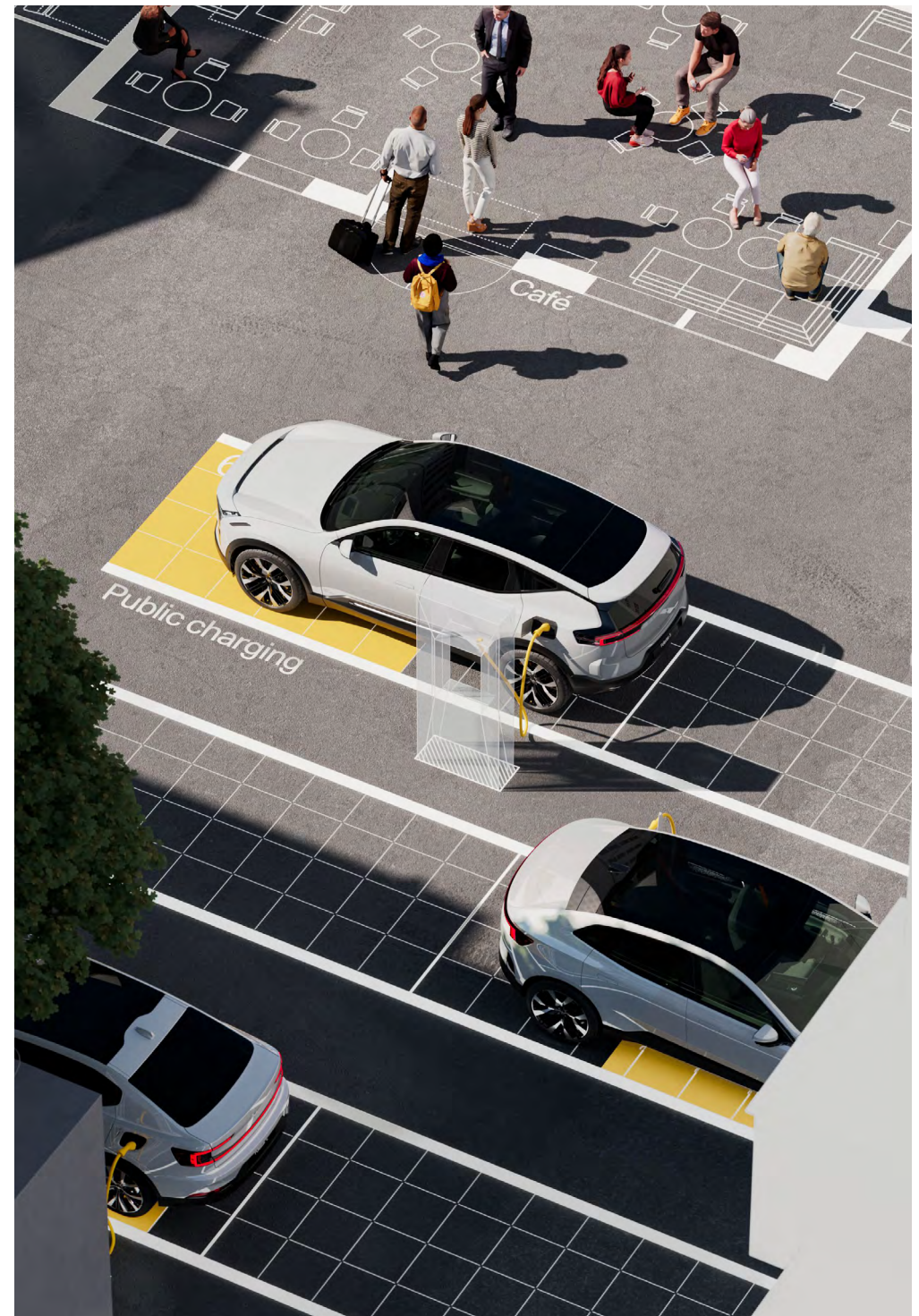


**Benefits**

- One app. One card.
- Plug and Charge.
- Over 1,000,000 charging points.
- Discounted charging at home and abroad.
- Save up to 30% on DC and HPC charging.

**Polestar Charge**

One integrated solution for public charging with access to over 1,000,000 charging points across Europe. Polestar Charge provides seamless access to leading charging partners, no multiple apps or payment methods required. An optional subscription offers exclusive charging discounts with selected providers. Savings apply from the first charge, with the flexibility to cancel at any time.

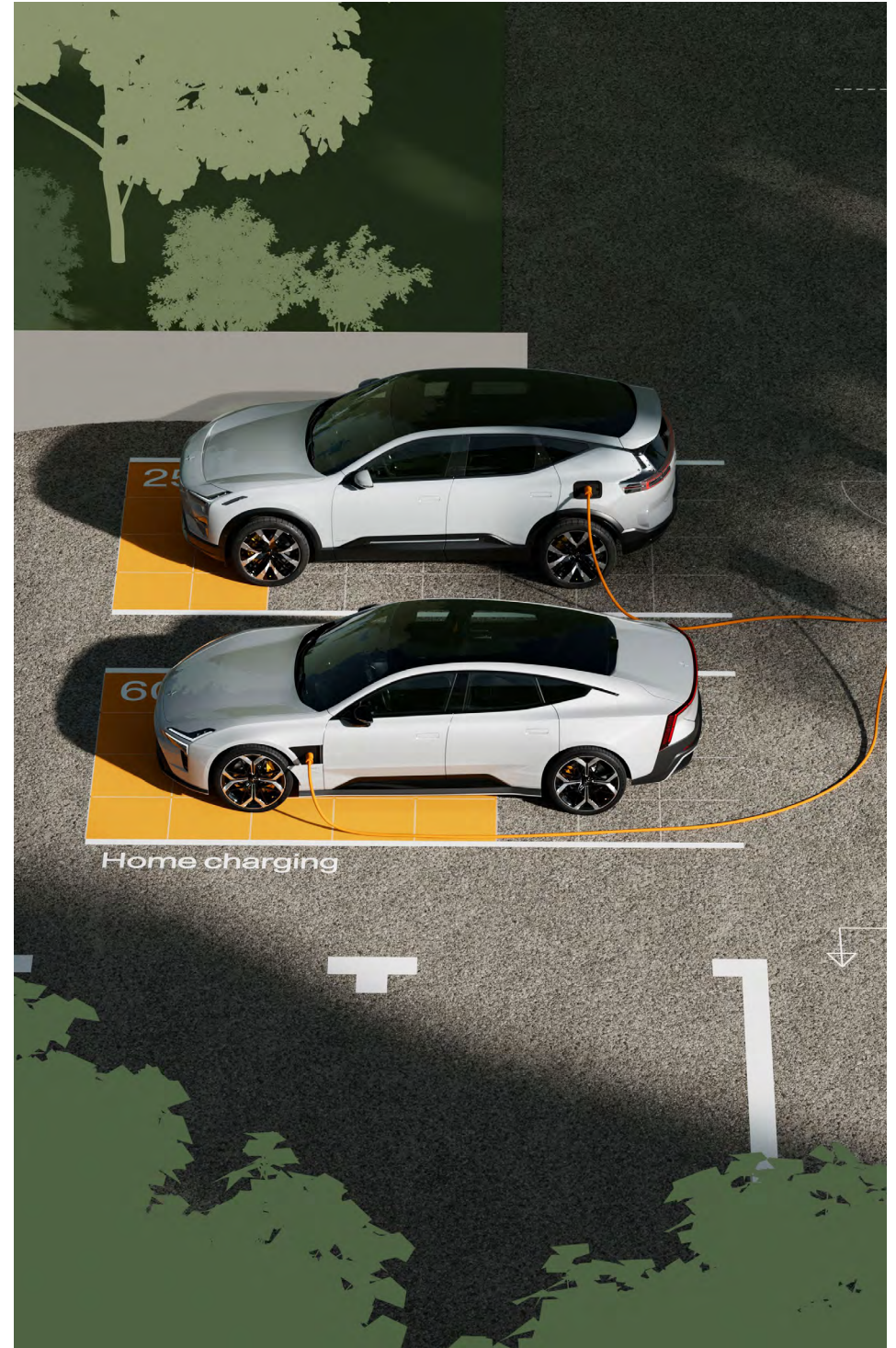




Zaptec  
Supported by Polestar Energy, with Wi-Fi smart charging and exclusive Polestar Extras offers.

## Polestar Energy

Reduce charging costs with smart home charging. Polestar Energy, combined with Zaptec and Intelligent Octopus Go, allows you to schedule departure times and charge levels via the Polestar Energy app, optimizing charging for cost-effective, renewable energy.



Curb weight

2315-2490 kg

Rear motor

Dual motor

Wheelbase

2985 mm

Dimensions

L: 4900 mm

H: 1614 mm

W: 2120 mm

Centre display

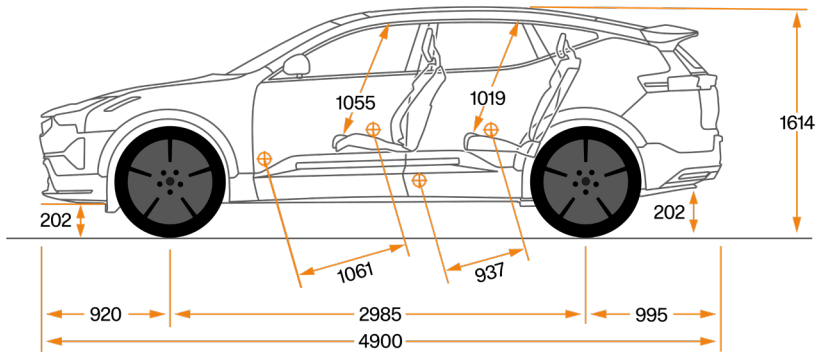
14.5"

Luggage volumes front/rear

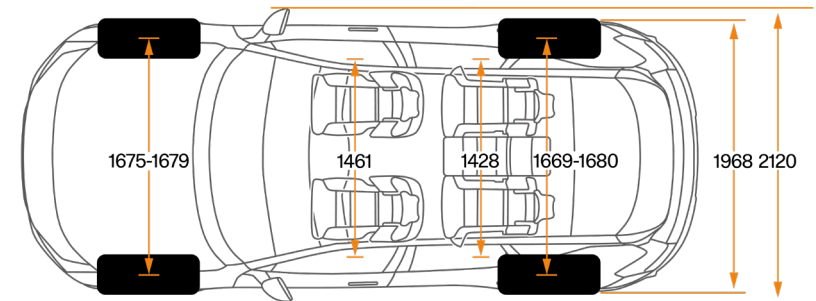
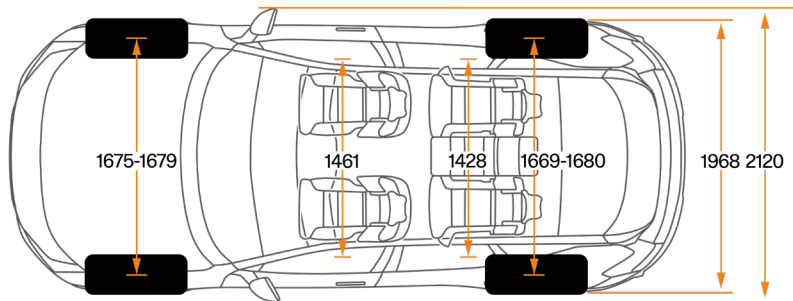
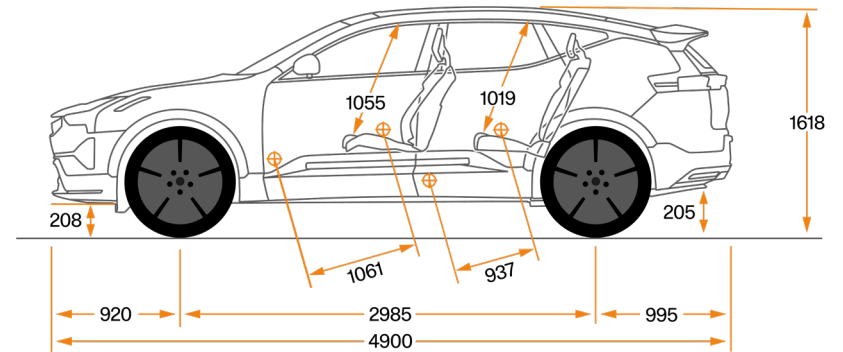
23.8 L / 597 L

# Technical dimensions

Europe & ROW  
Air suspension set ride height



Europe & ROW  
Standard passive suspension



Dimensions (mm): L-4900 mm H-1614 mm W-2120 mm  
 Wheelbase (mm): 2985 mm  
 Tyre specs: 20" 255/50 & 285/45 - 21" 265/45 295/40 - 22" 265/40 295/35  
 Luggage volumes front/rear (liters): 23.8 L / 597 L

Dimensions (mm): L-4900 mm H-1618 mm W-2120 mm  
 Wheelbase (mm): 2985 mm  
 Tyre specs: 20" 255/50 & 285/45 - 21" 265/45 295/40 - 22" 265/40 295/35  
 Luggage volumes front/rear (liters): 23.8 L / 597 L

## Polestar

---

Polestar Performance AB  
Assar Gabrielssons Väg 9  
405 31 Göteborg, Sweden

## Connect

[polestar.com](https://polestar.com)  
[info@polestar.com](mailto:info@polestar.com)  
[facebook.com/polestarcars](https://facebook.com/polestarcars)  
[instagram.com/polestarcars](https://instagram.com/polestarcars)  
[youtube.com/polestarcars](https://youtube.com/polestarcars)  
[linkedin.com/company/polestarcars](https://linkedin.com/company/polestarcars)

## Visiting address

Polestar HQ  
Assar Gabrielssons Väg 9  
418 78 Göteborg

## Copyright

All rights reserved.

No part of this brochure may be reproduced, distributed or transmitted in any manner without the expressed written consent of Polestar Performance AB.

© 2026 Polestar Performance AB

The Polestar trademarks are owned by Polestar Holding AB. Other product names, trademarks and company names are property of their respective owners.